

4074EHG Terminal Board Repair Kit for FC37A and B

Application

The 4074EHG Terminal Board Repair Kit is used to replace a damaged terminal board in the FC37A and B Electronic Cells. The kit contains:

Quantity	Description
1	Terminal board
2	Interface clips
4	1/8 in. [3 mm] diameter by 5/16 in. [3 mm] long aluminum pop rivets
1	Cell handle

The installation also requires:

- no. 29 or 1/8 in. [3 mm] diameter drill bit,
- variable speed electric drill, and
- pop rivet tool.

Installation

WHEN INSTALLING THIS PRODUCT...

1. Read these instructions carefully. Failure to follow them could damage the product or cause a hazardous condition.
2. Installer must be a trained, experienced service technician.
3. After installation is complete, check out air cleaner as provided in air cleaner instructions.



CAUTION

1. Do not bend any of the collector or ionizer plates in the cell.
2. The edges of the plates are sharp. Handle carefully to avoid cutting yourself.
3. Be sure no metal chips or spare parts remain in the cell following installation. These can cause sustained arcing.

The replacement terminal board and clips are mounted on the opposite end from the existing terminal board. This mounting avoids the damaged plate edges at the old terminal board location. To install, proceed as follows:

1. Remove the cell from the air cleaner and place on floor or bench so existing red terminal board is on the bottom.
2. Locate the two 0.132 in. [3.4 mm] holes in the frame rail on the top of the cell. See Fig. 1. These holes will

be used to position the interface clips and attach the terminal board.

3. Position each of the two interface clips on a collector hot plate as shown in Fig. 1, and push down until seated.

4. Line up the two mounting holes in the terminal board with the matching holes in the cell frame rail, making sure the terminal board contacts cover most of the surface of the interface clips. See Fig. 2.

Fig. 1—Position the interface clips so the center of the clip is just outside the center line of the mounting holes.

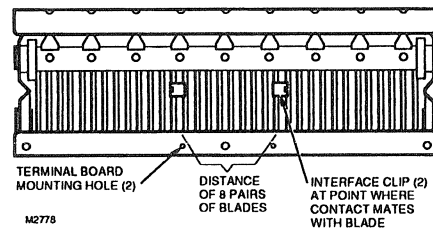
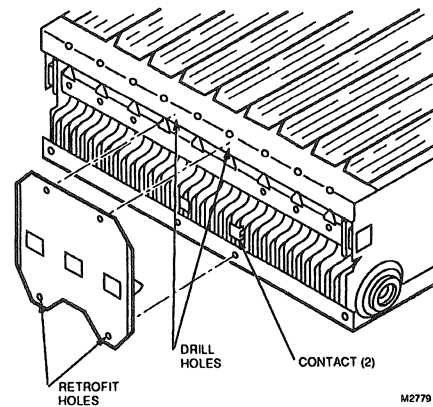


Fig. 2—Completed terminal board installation showing proper alignment of contacts on interface clips.



5. Fasten the terminal board to the cell using a pop riveter and two 1/8 in. [3 mm] diameter by 5/16 in. [8 mm] long aluminum pop rivets through the mounting holes.

6. Using the third and fourth holes in the terminal board as guides, drill two holes in the cell frame rail with a no. 29 or 1.8 in. [3 mm] diameter drill bit.

IMPORTANT: Stop the drill as soon as it goes through the rail or it can penetrate too far and damage a collector plate.

7. Rivet the terminal board to the cell with the third and fourth 1/8 in. [3 mm] diameter by 5/16 in. [8 mm] long aluminum rivets.

8. Turn the cell over, drill out the rivets holding the old terminal board in place, and discard old terminal board.

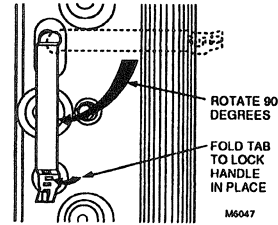
9. Make sure no metal filings or chips remain in the cell.

10. Remove and throw away the cell handle.

11. Install new cell handle on opposite side. See Fig. 3.

12. Reinstall cell in air cleaner cabinet and check out operation as outlined in air cleaner instructions.

Fig. 3—Installing cell handle.



Honeywell

Home and Building Control
Honeywell Inc.
1985 Douglas Drive North
Golden Valley, MN 55422

Home and Building Control
Honeywell Limited—Honeywell Limitée
740 Ellesmere Road
Scarborough, Ontario
M1P 2V9

Helping You Control Your World



QUALITY IS KEY

Printed in U.S.A.