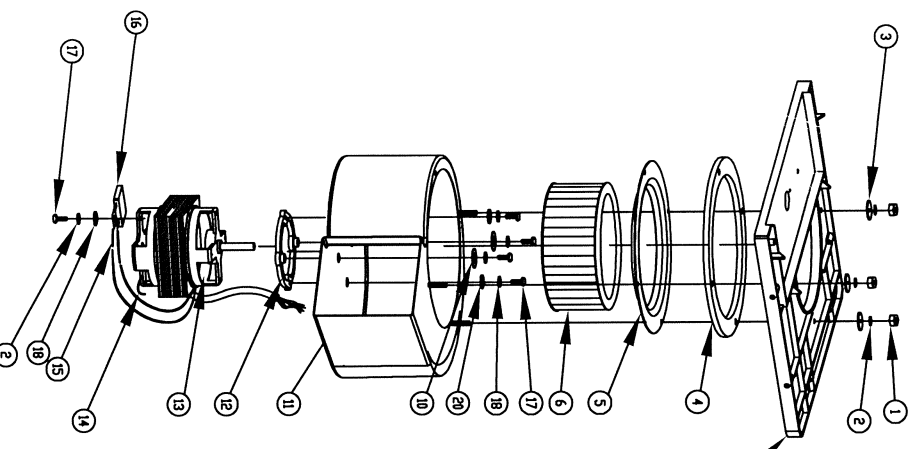


-THE ORIGINAL REPLACEMENT MOTOR IS NO LONGER AVAILABLE AND HAS BEEN REPLACED WITH THIS RETROFIT KIT.
 -THIS BLOWER REPLACEMENT MUST BE PERFORMED BY A FACTORY TRAINED SERVICE TECHNICIAN TO PREVENT PERSONAL INJURY AND/OR EQUIPMENT DAMAGE.

- INSTRUCTIONS:
1. REMOVE THE OLD BLOWER/MOTOR ASSY MOUNTING HARDWARE.
 2. CUT BLOWER MOTOR WIRE LEADS WITHIN 2" OF MOTOR.
 3. REMOVE THE BLOWER/MOTOR ASSY FROM THE CABINET (NOTE BLOWER ORIENTATION). IT MAY BE NECESSARY TO REMOVE OTHER COMPONENTS TO FACILITATE BLOWER/ MOTOR ASSY REMOVAL.
 4. REPLACE GASKET, IF DAMAGED, AS SHOWN IN FIGURE BELOW.
 5. POSITION RETROFIT MOTOR/BLOWER ASSY ON FAN BOARD (SAME ORIENTATION AS OLD UNIT) BY ALIGNING MOUNTING STUDS WITH EXISTING HOLES IN FAN BOARD.
 6. SECURE BLOWER/MOTOR WITH (3) NUTS & WASHERS AS SHOWN IN FIGURE.
 7. SPLICE RETROFIT MOTOR LEADS WITH CONTROL SWITCH WIRE LEADS USING WIRE NUTS OR OTHER APPROVED METHOD:
 - A) BLACK (SWITCH), GRAY (MOTOR) TO BLUE (SWITCH), MATCH BLACK (MOTOR) TO WHITE (SWITCH), MATCH RED (MOTOR) TO BLACK (SWITCH), MATCH WHITE (MOTOR) TO RED (SWITCH) & CAP OFF YELLOW.
 - B) WHITE (MOTOR) TO RED (SWITCH), MATCH BLACK (MOTOR) TO BLUE (SWITCH) & CAP OFF YELLOW.
 8. ROUTE WIRING AWAY FROM ALL ELECTRICAL COMPONENTS.
 9. ASSEMBLE COMPLETE UNIT AND TEST AT ALL SPEEDS FOR CORRECT OPERATION.



QTY.	ITEM	TRION PART NO.	DESCRIPTION	REMARKS
3	1	060103-001	NUT	
3	2	060102-001	WASHER	
3	3	060101-001	SPRING WASHER	
3	4	060105-001	WASHER FENDER	
3	5	060104-001	GASKET	
1	6	060098-001	INLET VENTURI	
1	7	124986-002	BLOWER WHEEL	
1	8	349871	CARTON	
1	9	4445	PRINT ONLY	
1	10	060103-001	PE BAG	
2	11	060097-001	WASHER NEOPRENE	
1	12	060102-001	BLOWER HOUSING	
1	13	248123-003	GRINDMET MOTOR	
1	14	248674-001	MOTOR-120V(4 speed)	
3	15	220711-002	MOTOR-230V	
2	16	060122-001	WIRE TIE	
1	17	060128-001	PVC TUBE	
1	18	060128-002	CAPACITOR	
5	19	060128-002	SCREW	
5	20	060103-002	WASHER	
1	19	060375-001	WASHER	
1	19	060375-001	INSERT	
2	20	060103-002	WASHER NEOPRENE	

NOTE:
 ITEMS 1, 2, 4, 5 AND ITEM 8 TO BE SECURED IN BAG (ITEM 9).
 2. ITEM 8 TO BE SECURED IN BAG (ITEM 9).

UNLESS OTHERWISE SPECIFIED USE		ANGLES	
SCALE 1/2"=1"	2 DEC. PLACE ± .03	3 DEC. PLACE ± .015	± 1/2"
DR. DAR	CHKD. RHP	APP. RHP	
DATE 7-1-96	DATE 07-03-96	DATE 07-03-96	
CONSOLE BLOWER/MOTOR ASSY			
RETROFIT KIT			
TRION			
DWG NO. 349871	REV. 1/1	REVISIONS	

REV	REV
F	
SHT	
1/1	