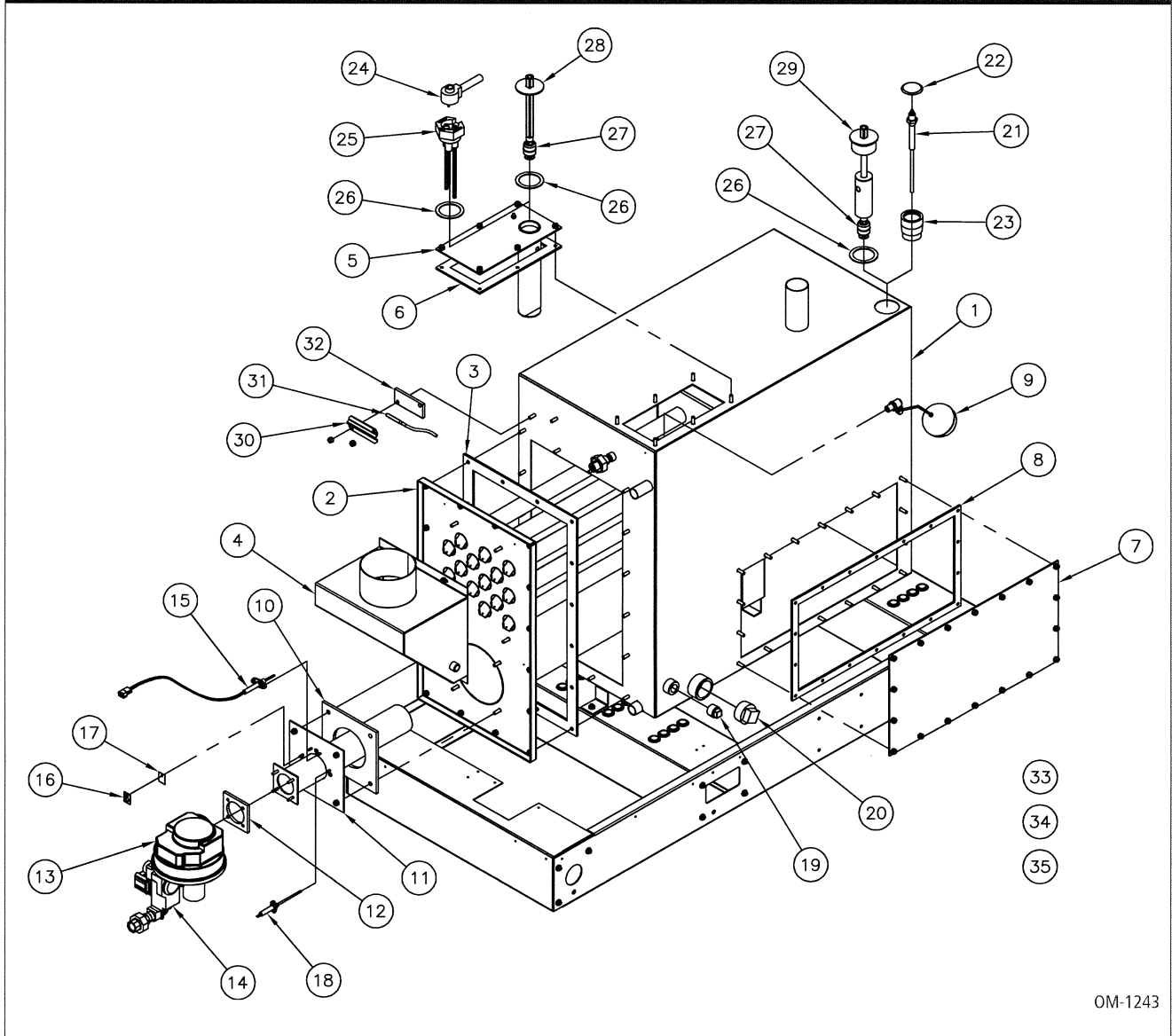


GTS replacement parts

Figure 68-1:
GTS replacement parts



OM-1243

GTS replacement parts

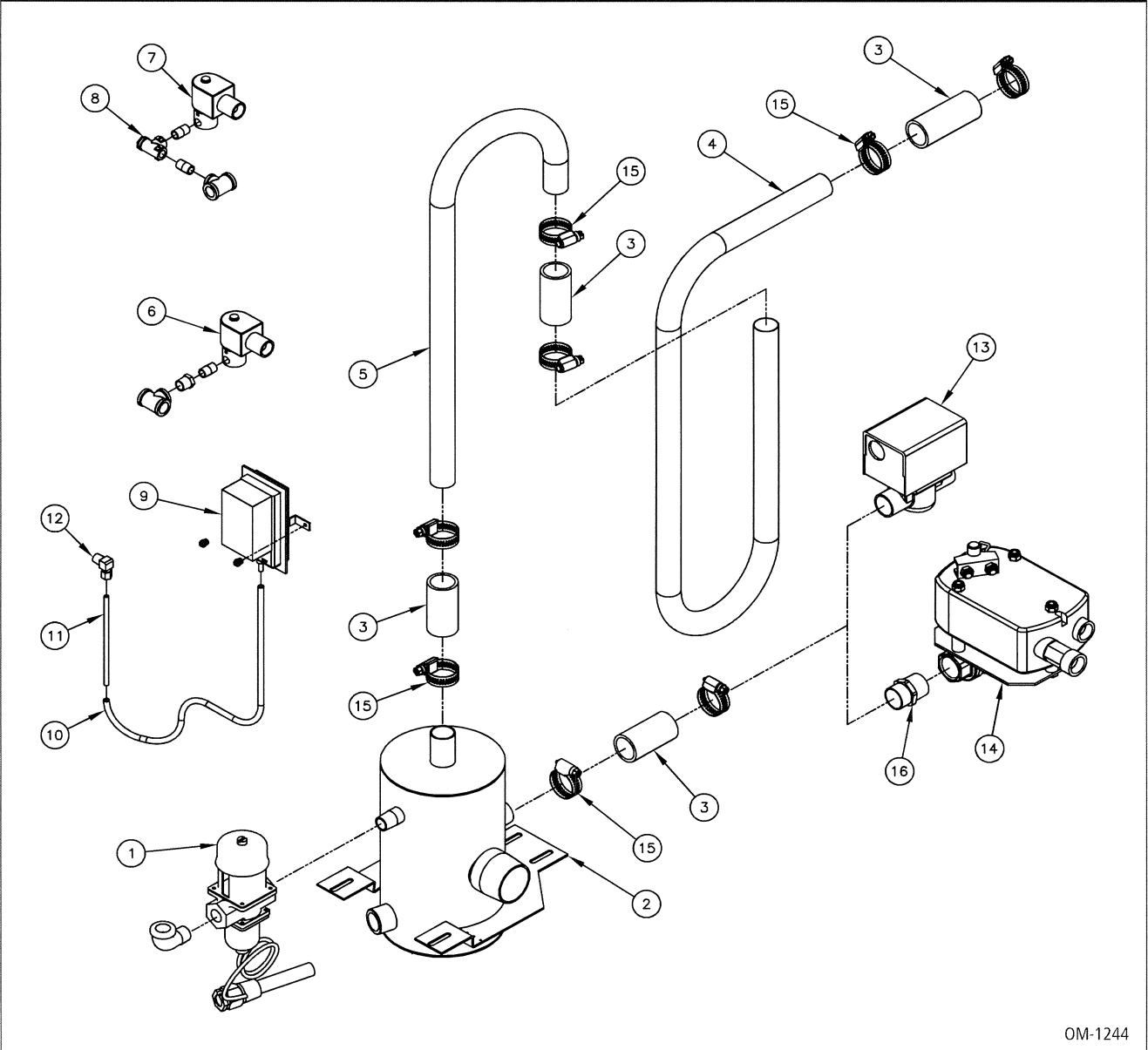
**Table 69-1:
GTS replacement parts**

No.	Description	Part no.	No.	Description	Part no.
1	Tank	Consult factory	19	Plug, 3/4"	250192-002
2	Heat exchanger	Consult factory	20	Plug, 1 1/2"	250681-002
3	Heat exchanger gasket	Consult factory	21	Redundant probe *	405726-001
4	Flue box	Consult factory	22	Bushing	405805-004
5	Probe plate	165302-005	23	Adapter weld *	168010-005
6	Probe plate gasket	308235-006	24	Probe plug *	406050-100
7	Cleanout plate	165479-001	25	Probe assembly *	406303-010
8	Cleanout plate gasket	308235-005	26	Probe gasket	309750-004
9	DI float valve assembly **	Consult factory	27	DI float switch **	408420-002
10	Burner gasket	308230-006	28	DI float weld **	167789
11	Burner	Consult factory	29	Redundant DI float weld **	167789-002
12	Blower gasket	308230-007	30	Temperature sensor bracket	128666-001
13	Blower	405800-003	31	Temperature sensor	405760
14	Gas valve	405800-007	32	Temperature sensor gasket	308230-011
15	Ignitor	405719	33	Gas manifold weld ***	Consult factory
16	Sight glass bracket	128661	34	Sealed combustion assembly ***	Consult factory
17	Sight glass	405720	35	Pallet/shroud components ***	Consult factory
18	Flame sensor	405725			

Notes:
 * Standard water models only
 ** DI models only
 *** Not shown

GTS fill, drain, and blocked flue replacement parts

Figure 70-1:
GTS fill, drain, and blocked flue replacement parts



OM-1244

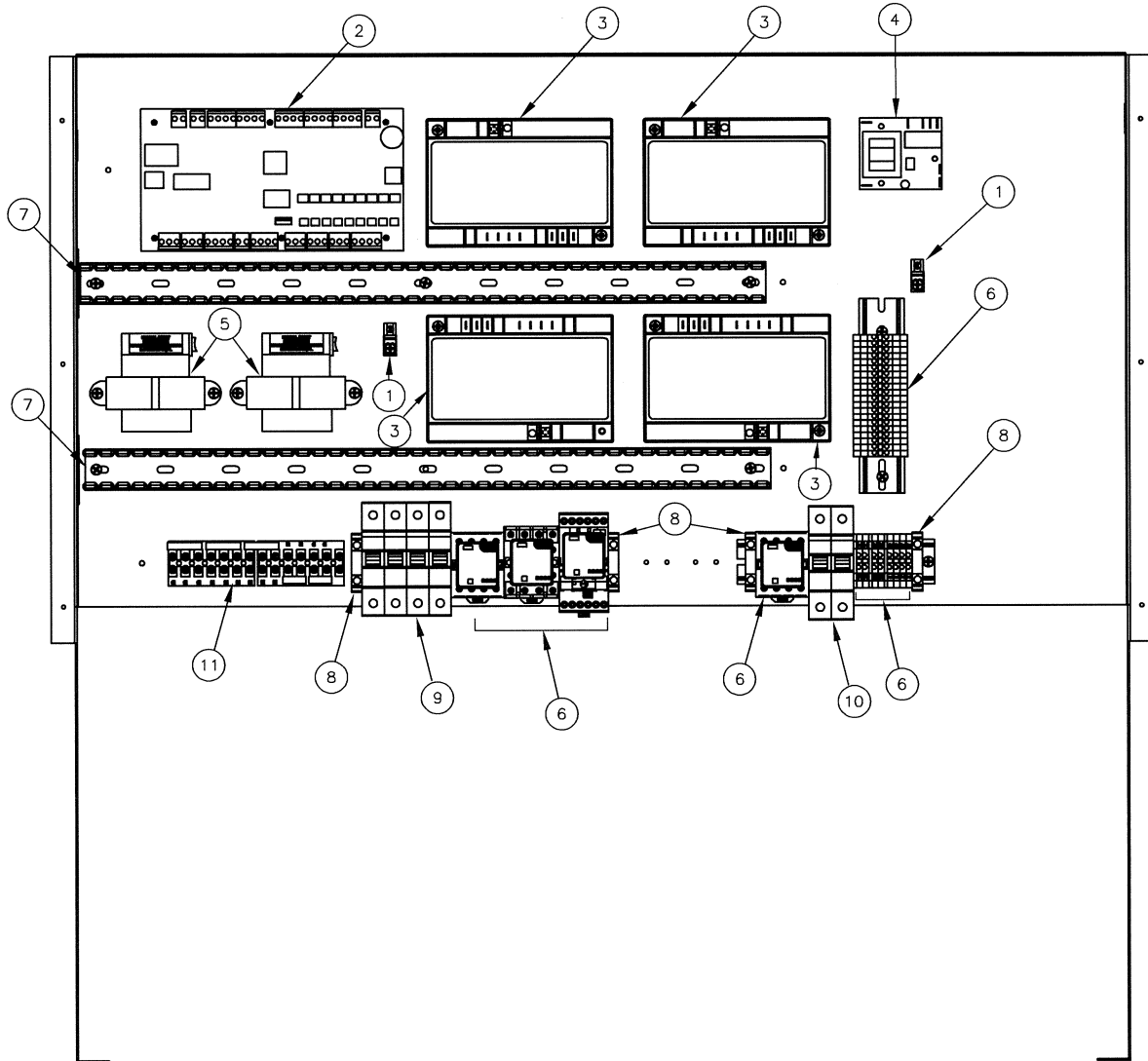
GTS fill, drain, and blocked flue replacement parts

**Table 71-1:
GTS fill, drain, and blocked flue replacement parts**

No.	Description	Part no.
1	Water tempering valve	505090
2	Water tempering tank	Consult factory
3	Drain hose cuff	305389-003
4	Top water seal tube	204812-201
5	Bottom water seal tube	204812-202
6	Fill valve, DI EOS models **	505086
7	Fill valve, standard water models *	505095
8	Strainer *	300050
9	Blocked flue sensor	406190
10	Flexible tubing	405722
11	Copper tubing	100038-025
12	Compression elbow	405723
13	Drain valve, standard water models *	505075
14	Drain valve, DI-EOS models **	193458
15	Hose clamp	700560-100
16	Adapter, NPT × C	204700
17	Fill hose ***	Consult factory
18	Water tempering hose ***	Consult factory
Notes: * Standard water models only ** DI models only *** Not shown		

GTS electrical replacement parts

Figure 72-1:
GTS electrical replacement parts



Note: See Page 74 for GTS Outdoor Enclosure parts.

OM-7470

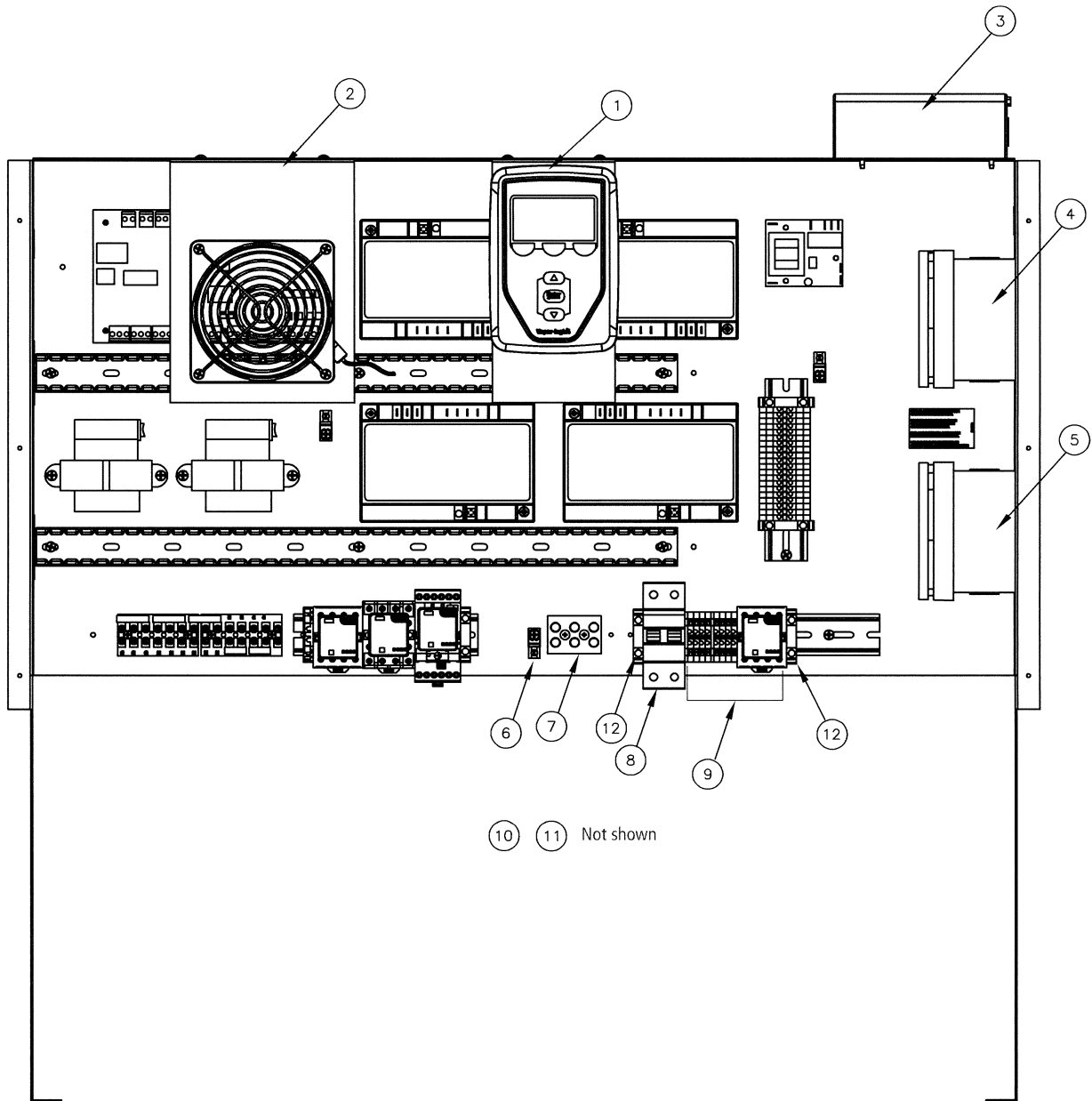
GTS electrical replacement parts

**Table 73-1:
GTS electrical replacement parts**

No.	Description	Part no.
1	Ground wire lug	409250-003
2	Vapor-logic4 main board	408495-001
3	Ignition module (for North America)	405800-005
	Ignition module (for Europe)	405800-006
4	Low water board *	405726 *
5	Transformer (for North America)	408965-001
	Transformer (for Europe)	408985
6	Relays, Sockets, time delay	Consult factory
7	Wire channel	408999-001
8	DIN-rail end bracket	408252-006
9	Circuit breaker, 2-pole (for Europe only)	406775-004
10	Circuit breaker, single-pole (for SDU option only)	406775-009
11	Terminal strip	Consult factory
Note: * Standard water models only		

Outdoor enclosure electrical replacement parts

Figure 74-1:
Outdoor enclosure electrical replacement parts



Note:
For European models, refer to Fisair diagrams

OM-7471

Outdoor enclosure electrical replacement parts

**Table 75-1:
Outdoor enclosure electrical replacement parts**

No.	Description	Part no.
1	Vapor-logic4 display with back	
2	Fan assembly (for North America)	185110-001
	Fan assembly (for Europe)	185110-002
3	High limit stat	405800-065
4	Fan stat (for North America)	405800-067
	Fan stat (for Europe)	405871-002
5	Heater stat (for North America)	405800-066
	Heater stat (for Europe)	405871-001
6	Ground wire lug	409250-003
7	Power block	408300-002
8	Circuit breaker	406775-005
9	Relays, sockets, time delay	Consult factory
10	Heater assembly, 500W *	Consult factory
11	Heater assembly, 1100W *	Consult factory
12	DIN-rail end bracket	408252-006
Note: * Not shown		