

Repair Parts List For AM90, HAM90, AM91, HAM91, AM92, HAM92, AM93, HAM93, AM94 Pneumatic Humidifiers and HEM90, HEM91, HEM92, HEM93, HEM94 and BEM90, BEMH90, BEM91, BEMH91, BEM92, BEMH92, BEM93, BEMH93, BEM94, BEMH94 Electric Humidifiers

Item	Part No.	Model Used On	Description
1	C1953	90	Steam Chamber w/Scrubble & Screen
	C1815	91	Steam Chamber w/Scrubble & Screen
	C1816	92	Steam Chamber w/Scrubble & Screen
	C1869	93	Steam Chamber w/Scrubble & Screen
	C1870	94	Steam Chamber w/Scrubble & Screen
2	A8992	90	Scrubble & Screen
	A8993	91,92	Scrubble & Screen
	A17824	93	Scrubble & Screen
	A17823	94	Scrubble & Screen
3	B2584-1	90	Horizontal Fitting Assembly
3A	B2584-2	90	Vertical Fitting Assembly
—	A17414	91	Manifold Fittings
—	A17413	92	Manifold Fittings
—	A17412	93	Manifold Fittings
—	A17411	94	Manifold Fittings
4**	A17827	90,91	Manifold Coupler Nut, O-Ring & Washer
	A17769	92	Manifold Coupler Nut, O-Ring & Washer
	A17825	93	Manifold Coupler Nut, O-Ring & Washer
	A17826	94	Manifold Coupler Nut, O-Ring & Washer
4A	A5012	91	Dispersion Nozzle (For Area Unit w/Fan)
	A5012A	91	Dispersion Nozzle (For Area Unit Less Fan)
	A4888A	92	Dispersion Nozzle (Area Unit 0-50 lb/hr Capacity)
	A4888E	92	Dispersion Nozzle (Area Unit 50-100 lb/hr Capacity)
	A4888	92	Dispersion Nozzle (Area Unit 100 Plus lb/hr Capacity)
	A4888G	93	Dispersion Nozzle (Area Unit 0-50 lb/hr Capacity)
5	A4888H	93	Dispersion Nozzle (Area Unit 50-100 lb/hr Capacity)
	A4888F	93	Dispersion Nozzle (Area Unit 100 Plus lb/hr Capacity)
	A5013	90,91	Manifold Coupler Washer
	A4889*	92	Manifold Coupler Washer
6	A4889A*	93	Manifold Coupler Washer
	A4891	94	Manifold Coupler Washer
	A6302A	90,91	Manifold Coupler O-Ring
	A6303B*	92	Manifold Coupler O-Ring
7	A8709A*	93	Manifold Coupler O-Ring
	A6306A	94	Manifold Coupler O-Ring
	A4967B	90,91	Manifold Pipe Adapter (1/2" NPT)
	A4967	92	Manifold Pipe Adapter (3/4" NPT)
8	A4967L	93	Manifold Pipe Adapter (1" NPT)
	A5002	94	Manifold Pipe Adapter (2" NPT)
	A6003A	91	1/2" Pipe Plug for Area Units
	A6004A	91,92	3/4" Pipe Plug for Duct Units
8	A6006A	93	1-1/4" Pipe Plug
	A6008A	94	2" Pipe Plug

*Not required with Dispersion Nozzle.

** Not included with Item 1.

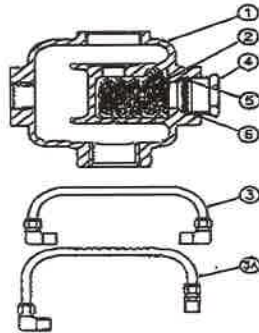


Fig. 1 For 90 Size

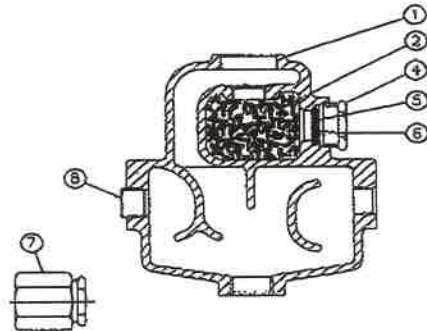


Fig. 3 For 91,92,93,94 Sizes

Item	Part No.	Model Used On	Description
	C1801**	90,91,92,93	Operator Complete w/Seat - 10# or 5# Spring
7	A8996	90,91,92,93	Spring Adjusting Screw, Washer & Snap Ring
8	B2358	90,91,92,93	Spring Adjusting Disc
9	A6958	90,91,92,93	10# Spring (Silver)
	A6958B	90,91,92,93	5# Spring (Black)
10	B2360C	90,91,92,93	Piston
11	A9330	90,91,92,93	Diaphragm (B2425) & Washer (A6466)
12	A6000C	90,91,92,93	1/8" Pipe Plug
13	A8991	90,91,92,93	Seal Kit (1 Seal, 2 Washers, 2 Snap Rings, 1 Spacer & 2 Quad
14 & 15	B4821**	90,91	Valve Seat & Stem Assembly w/Washer & Stem Nut
	B4821**	92	Valve Seat & Stem Assembly w/Washer & Stem Nut
	B4821**	93	Valve Seat & Stem Assembly w/Washer & Stem Nut
16	B4054-1	90	Base w/Seals
	B4054-2	91,92,93	Base w/Seals
17	A8956A	90,91,92,93	Screws w/Washers
18	C1800C	90,91,92,93	Operator Cap
19	A9282A	90	Bonnet Gasket
	A9314B	91, 92, 93	Bonnet Gasket

**Must have steam pressure and capacity OR orifice size for these parts. Specify operator model being used.

Note: Bonnet gasket also included with complete C1801 operator.

Figure 4

Item	Part No.	Model Used On	Description
	B4065**	90,91,92,93	Bonnet Assembly Complete for Honeywell, Barber Colman, BNVEM Belimo NVF and Belimo AF24SR.
	B4065**	94	Bonnet Assembly Complete for Honeywell or Barber Colman
15	A22347	90	Honeywell Bonnet w/Seal Kit
	A20112	91,92,93.	Honeywell Bonnet w/Seal Kit
	B6090	94	Honeywell Bonnet w/Seal Kit
	A22355	90	Barber Colman Bonnet w/Seal Kit
	A20224	91,92,93.	Barber Colman Bonnet w/Seal Kit
	B6091	94	Barber Colman Bonnet w/Seal Kit
	A20111	91, 92, 93	Belimo NVF (BNVEM) Bonnet w/Seal Kit
	A22346	90	Belimo NVF (BNVEM) Bonnet w/Seal Kit
15A	A9282A	90	Bonnet Gasket
	A9314B	91, 92, 93	Bonnet Gasket
	A22342-1	94	Bonnet Gasket
	A9314B	94	Seat Gasket
14 & 16	B4821**	90,91	Valve Seat & Stem Assembly
	B4821**	92	Valve Seat & Stem Assembly
	B4821**	93	Valve Seat & Stem Assembly
	B4821**	94	Valve Seat & Stem Assembly
17	A6101A	90,91,92,93,94	Stem Nut
	A4790	90,91,92,93,94	Barber Colman Bonnet Nut
17A	A4661A	90,91,92,93,94	Honeywell Stem Adapter
18	A23517	90,91,92,93,94	Packing Gland
19	A8991	90,91,92,93,94	Seal Kit
20A	A13770	94	Bolts (Set of 6)
21	A17909	94	Bonnet Plate

**Must have steam pressure and capacity OR orifice size for these parts. Specify operator model being used.

Note: Bonnet gaskets are also included with bonnet assemblies.

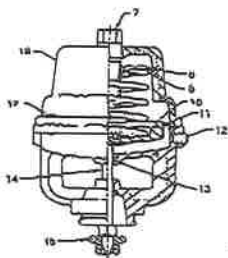


Fig. 2

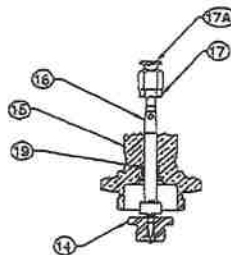


Fig. 4

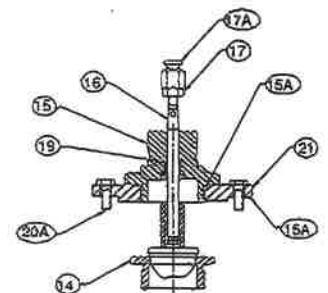


Fig. 4