

13. Replacement Parts

To order replacement parts, refer to "Smog-Hog Parts List" on page 17. Order through your local UAS representative or contact United Air Specialists at 1-800-252-4647. Please have the unit model number, serial number (from component access door) and part numbers available when ordering.

Properly Aligned SHN Assembly

ITEM NO:	PART NO:	DESCRIPTIONS:	QUANTITY REQUIRED*
1	02-2339-S	COLLECTION CELL ASSEMBLY	2
	02-0003-S	COLLECTION CELL, SHN-6	N/A
2	02-0037-S	IONIZER ASSEMBLY	2
	02-0008-S	IONIZER ASSEMBLY, SHN-6	N/A
3	37-0027	COLLECTION CELL FEED THRU INSULATOR	1
4	37-0026	IONIZER FEED THRU INSULATOR	1
5	36-0014	CELL/IONIZER INSULATOR SPRING	2
6	36-0077	GROUND SPRING	4
7	30-0387	COLLECTION CELL CONTACT SCREW	3
8	30-0389	IONIZER CONTACT NUT	3
9	30-0388	IONIZER CONTACT SCREW	3
10	36-0016	IONIZER CONTACT SPRING	1
11	42-0082	PUSH TO TEST BUTTON	2
12	36-0009	COLLECTION CELL CONTACT SPRING	1

SHN-20 CONFIGURATION SHOWN
*For SHN-20 Unit

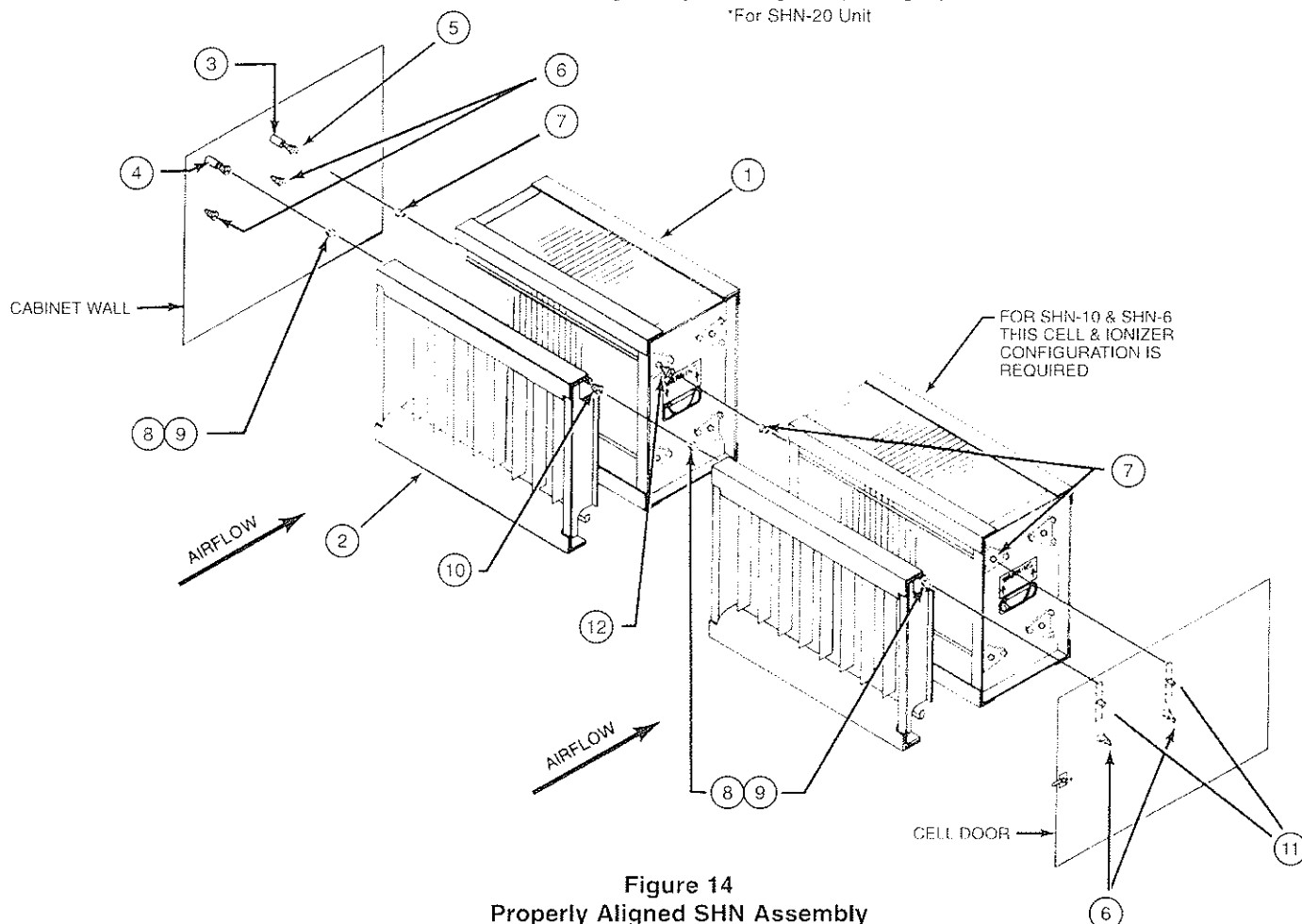


Figure 14
Properly Aligned SHN Assembly

SMOG-HOG PARTS LIST

COMPONENT DESCRIPTION	PART NUMBER
POWER SUPPLY - POSITIVE (UL RECOGNIZED)	21-1216
POWER SUPPLY - NEGATIVE (UL RECOGNIZED)	21-1220
GREEN 12 VDC LED TYPE INDICATOR LIGHT W/TERMINALS	02-10561-G
WHITE 12VDC LED TYPE INDICATOR LIGHT W/TERMINALS	02-10561-W
100 V.A. STEP-DOWN TRANSFORMER (FOR SHN-10 & SHN-20)	(208V to 115V) 21-1275-100 (230V or 460V to 115V) 21-1274-100 (575V to 115V) 21-1276-100
150 V.A. STEP-DOWN TRANSFORMER (FOR SHN-10-M, SHN-20-M, SHN-40 & SHN-50-T)	(208V to 115V) 21-1275-150 (230V or 460V to 115V) 21-1274-150 (575V to 115V) 21-1276-150
350 V.A. STEP-DOWN TRANSFORMER (FOR SHN-40-M)	(208V to 115V) 21-1275-350 (230V or 460V to 115V) 21-1274-350 (575V to 115V) 21-1276-350
LIMIT SWITCH, CABINET DOOR INTERLOCK	20-0005
GASKET, EDGE (BUNA-N)	42-0168
BLOWER-BELT DRIVE 3/4" SGL 9-4 – SHN-6	32-0004
BLOWER-BELT DRIVE 3/4" SGL 9-7 – SHN-10	32-0059
BLOWER-BELT DRIVE 3/4" DBL 9-7 – SHN-20	32-0036
BLOWER-BELT DRIVE 1" SGL 15-15 – SHN-40 & 50-T	32-0063
MOTOR-7-1/2HP, 208-230-460/3/60	22-0288
MOTOR-5HP, 208-230-460/3/60	22-0023
MOTOR-3HP, 190-208-230-460/3/50-60	22-0022
MOTOR-1HP, 208/3/60	22-0012
MOTOR-2HP, 208-230-460/3/60	22-0039
MOTOR-1/2HP, 115-230/1/60	22-0001
MOTOR-1/2HP, 190-208-230-460/3/60	22-0002
MOTOR-1HP, 575/3/60	22-0047
BELTS	BASED ON ORDER
PULLEYS	BASED ON ORDER
COLLECTION CELL GPN	02-2339-S
COLLECTION CELL SHN-6	02-0003-S
IONIZER ASSY-9 WIRE	02-0037-S
IONIZER ASSY-6 WIRE SHN-6	02-0008-S
OPTIONAL MIST-STOP FILTERS	
FILTER, COALESCING TYPE, 2" SHN-10	33-10071-0001
FILTER, COALESCING TYPE, 2" SHN-20, 40 & 50*	33-10071-0002
FILTER, COALESCING TYPE, 2" SHN-6	33-10071-0003
FILTER, ALUMINUM MESH, 2" SHN-10	33-10072-0001
FILTER, ALUMINUM MESH, 2" SHN-20, 40 & 50*	33-10072-0002
FILTER, ALUMINUM MESH, 2" SHN-6	33-10072-0003

*Note: (1) Filter per SHN-20

(2) Filter per SHN-40 & 50