

Parts List



Phone: (714) 921-6000
(800) 347-2473
Parts fax: (714) 921-6022
www.DataAire.com
e-mail: parts@dataaire.com

Table of Contents

Warranty Policy	4
Shipping Policy	5
Return Parts Policy	5
Model Designations	6
Part Cross Reference	
Mini Ceiling	10
Mini-Plus Ceiling	14
LCS	18
Data Temp	22
Modular Data Temp	25
Data Aire Series - Air/Water/Glycol	28
Data Aire Series - Chilled Water	34
DARC/DAFC	40

IMPORTANT

This price book contains the most common parts used in Data Aire equipment. To accommodate the requirements of our customers, many of our finished products include "specials." (Specials are modifications from the standard product offering. Modifications can be deletion, addition, or substitution of standard component parts.) If you are unfamiliar with the unit you are working on it may be necessary that you contact the factory to determine whether the unit is a special.

AVAILABILITY

Since the parts listed in this price list are only standard component parts used in production of current units, a reasonable inventory is in stock. As a result shipment is usually made within 24 hours after receipt of purchase order. Custom, nonstandard voltage, and single phase electrical components are not carried in stock and carry a longer lead time.

Warranty Policy for Parts

Standard parts are warranted for merchantability for 90 days from date of shipment with the exception of:

Consumables - such as but not limited to refrigerant, belts, filters, humidifier, heaters not regularly cleaned, light bulbs, or any other items that wear-out by normal wear and tear.

Improperly installed or maintained components - including but not limited to polluted or contaminated air or water.

This agreement is limited to repair or replace of defective parts and is expressly in lieu of all other warranties, expressed or implied and all other obligations or liabilities on the part of Seller and Seller neither assumes or authorizes any other person to assume for it any liability of obligation in connection with the sale of service of these parts, except said repair or replacement of defective parts set forth above.

This warranty does not include any labor charges for work done outside of the factory for replacement of parts, adjustments, repairs, or any other work. Seller's liability does not include any resulting damage to persons, property, equipment, goods, or merchandise arising out of any defect in or failure of any equipment of its manufacture and Buyer hereby waives any claim against Seller arising out of such claim. This warranty shall not cover the repair or replacement of any equipment which has been repaired or altered outside of the factory in any way or which has been subject to negligence, misuse, or abuse, or to pressures in excess of stated limits. On parts not manufactured by Seller, such as motors, controls, etc. the warranty extended to Buyer shall be the same warranty as that given to Seller by its supplier.

Seller shall not be liable for any direct, indirect, incidental, consequential, or other loss, injury damage cost or expense, whether caused by delay, failure, or performance, breach of warranty, or by any cause whatsoever.

Shipping Policy

Unless explicitly instructed on the purchase order, all parts will be shipped UPS Ground.

Alternate shipping methods such as next day or second day shipping are available and can be accommodated if explicitly instructed on the purchase order. Standard providers of these services are UPS or Federal Express. Other carriers may be requested by the purchaser and while every attempt will be made to use the requested carrier, Data Aire will determine the carrier.

Cost of shipping will be added to the invoice along with a \$10.00 handling fee.

If purchaser supplies their own account number for the carrier used to ship the material, no shipping will be charged, however, handling fees will still apply.

Returns

Standard parts, purchased from Data Aire, can be returned to the factory for credit up to 90 days from date of invoice. In order to return parts purchaser must receive authorization from the parts department in writing and include such authorization with the parts returned.

Parts must be shipped FOB our dock. Parts shipped with charges due will not be received. Upon receipt parts will be inspected.

Parts determined to be in new condition will be eligible for credit to account less a 25% restocking fee. If part(s) are found not in new condition they will be ineligible for credit.

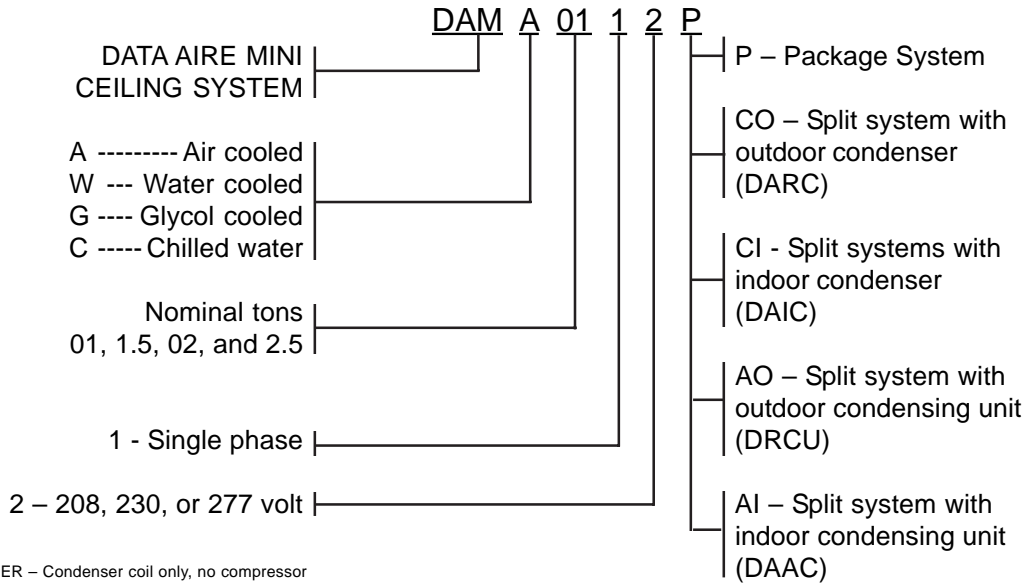
Parts Covered Under Original Unit Warranty

To obtain parts covered under the original unit warranty contact the Parts Department in Orange, CA. Parts Manager will verify warranty and arrange for the new part to be shipped.

Parts in excess of \$20.00 list require a valid purchase order from the requestor.

Upon receipt by Data Aire of the purchase order the part will be sent out UPS Ground, FOB destination, along with a tag to be attached to the warranty part. (If requested, parts can be shipped more expeditiously but incremental shipping will be billed to requestor.) After attaching the return tag to the warranty part, the part should be sent back to Data Aire at owners expense. Parts sent collect will not be accepted. Upon receipt and verification of the defect, the value of the part will be credited to the account.

MINI CEILING SYSTEMS

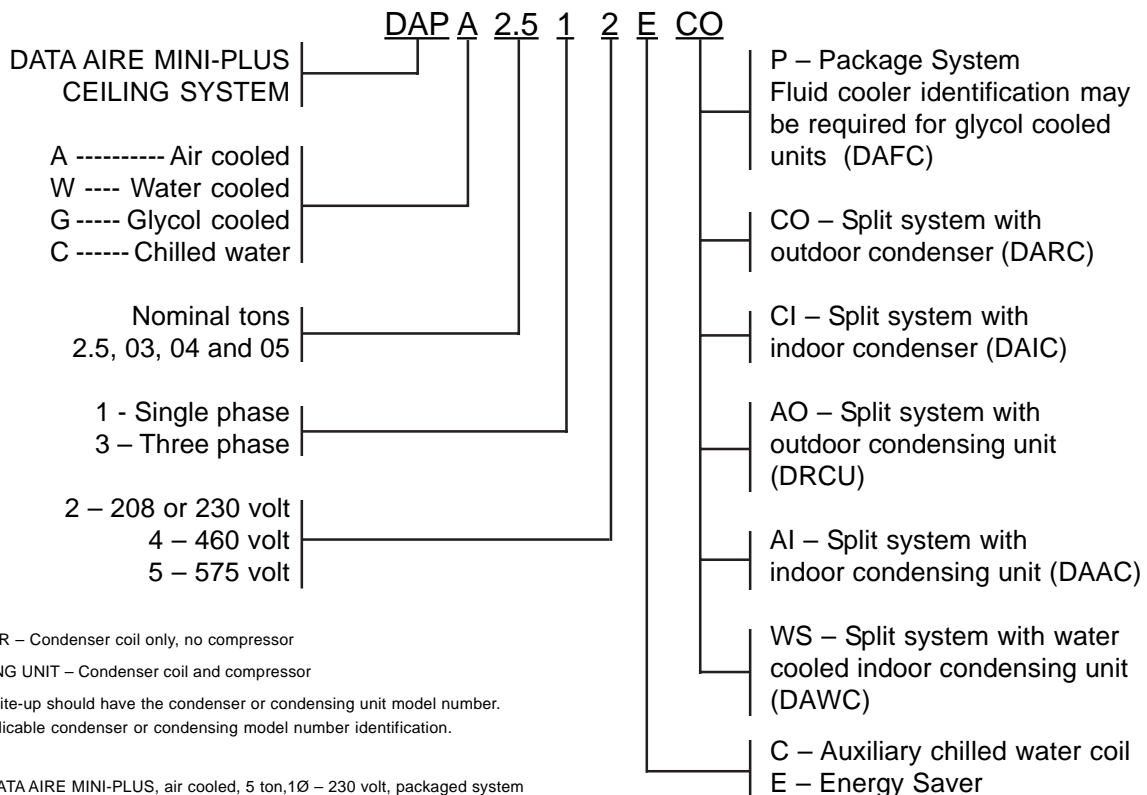


CONDENSER – Condenser coil only, no compressor
 CONDENSING UNIT – Condenser coil and compressor

The order write-up should have the condenser or condensing unit model number.
 Refer to applicable condenser or condensing model number identification.

Example: DATA AIRE MINI, air cooled, 1 ton, 1Ø – 230 volts, packaged system **DAMA 0112 P**

MINI-PLUS CEILING SYSTEMS

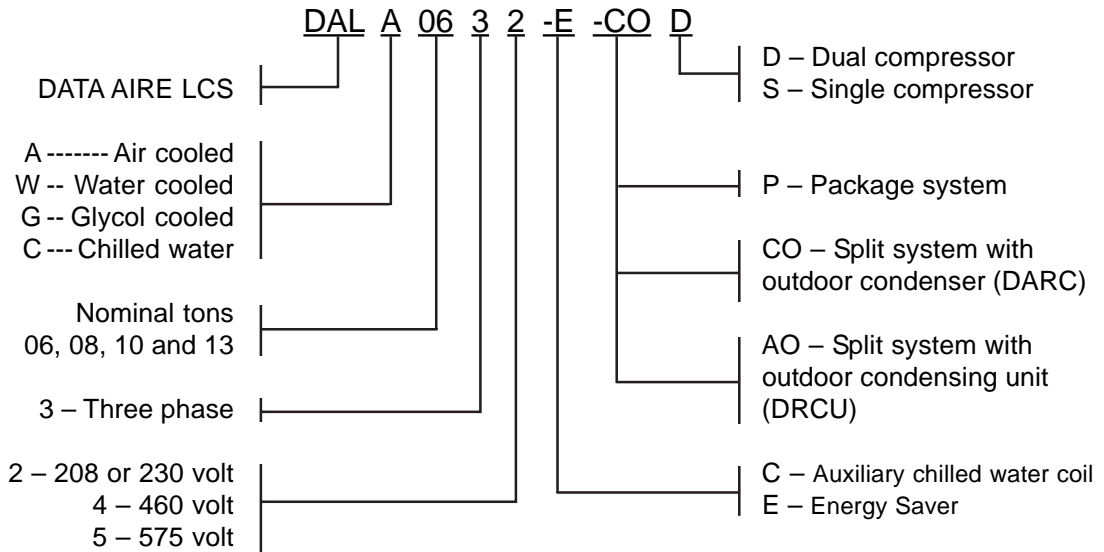


CONDENSER – Condenser coil only, no compressor
 CONDENSING UNIT – Condenser coil and compressor

The order write-up should have the condenser or condensing unit model number.
 Refer to applicable condenser or condensing model number identification.

Example: DATA AIRE MINI-PLUS, air cooled, 5 ton, 1Ø – 230 volt, packaged system
 With outdoor condensing unit – Evaporator Model: **DAPA 0512 AO**
 Condensing Unit Model: **DRCU 0512**

LARGE CEILING SYSTEMS



LCS units are not available in air cooled packaged configuration

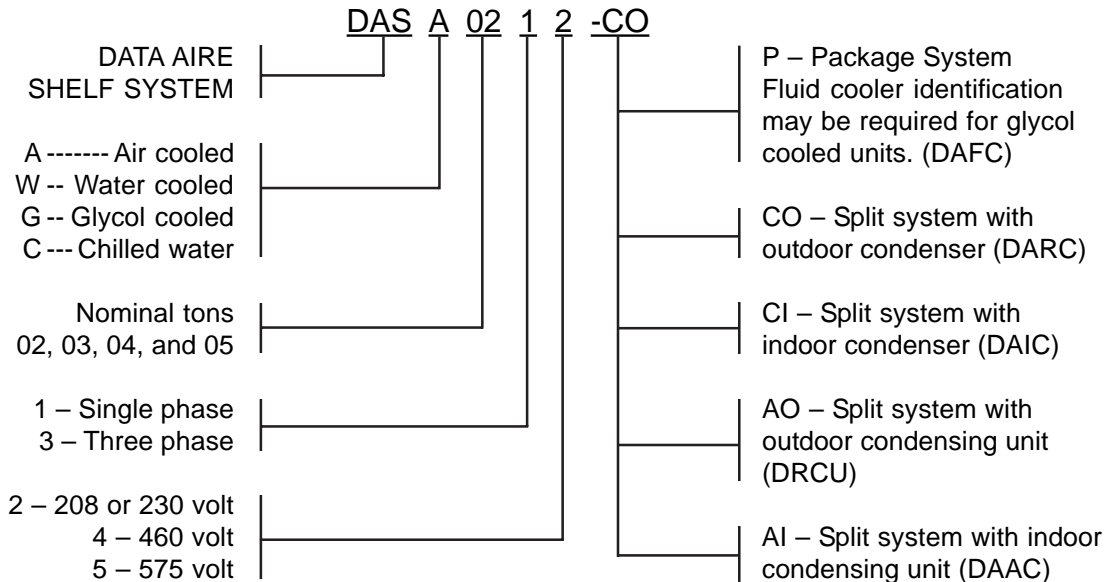
CONDENSER – Condenser coil only, no compressor

CONDENSING UNIT – Condenser coil and compressor

The order write-up should have the condenser or condensing unit model number.
Refer to applicable condenser or condensing model number identification.

Example: DATA AIRE LCS units, air cooled, 6 ton, 3Ø – 230 volt, split system with outdoor condenser and dual compressors –
Evaporator Model: **DALA 0632 CO D** Condenser Model: **DARC 0632**

SHELF SYSTEMS



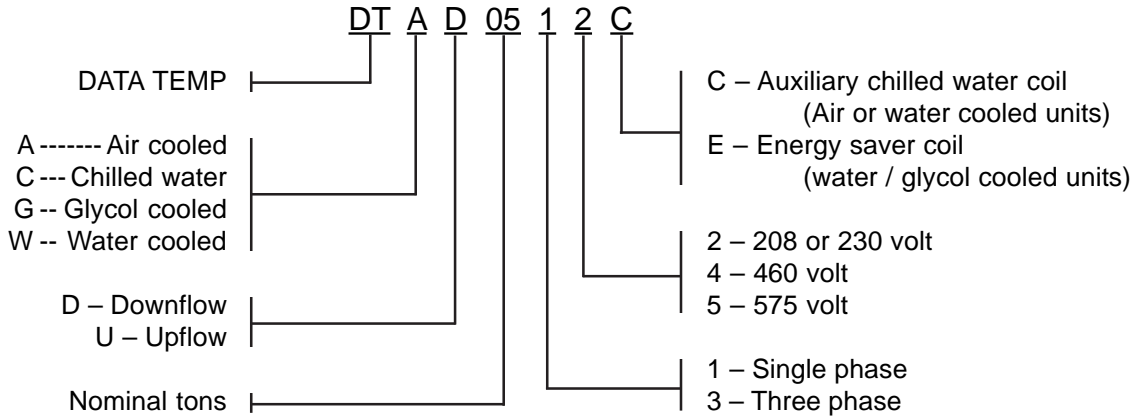
SHELF SYSTEMS are not available in air cooled packaged configuration

CONDENSER – Condenser coil only, no compressor
CONDENSING UNIT – Condenser coil and compressor

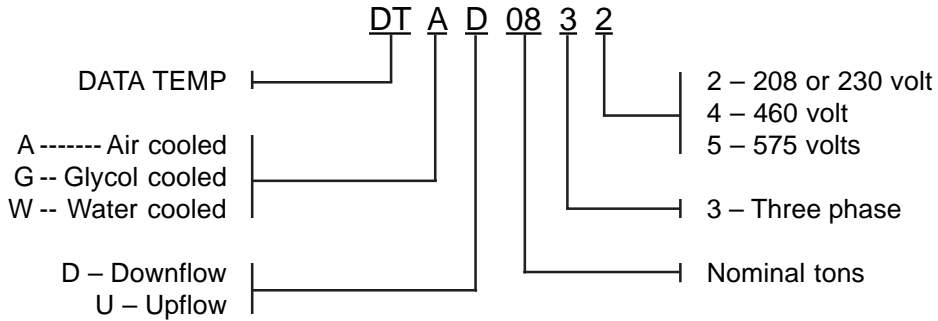
The order write-up should have the condenser or condensing unit model number.
Refer to applicable condenser or condensing model number identification.

Example: DATA AIRE SHELF SYSTEM, air cooled, 2 ton, 1Ø – 230 volt, split system with outdoor condenser
Evaporator Model: **DASA 0212 CO** Condenser Model: **DARC 0312**

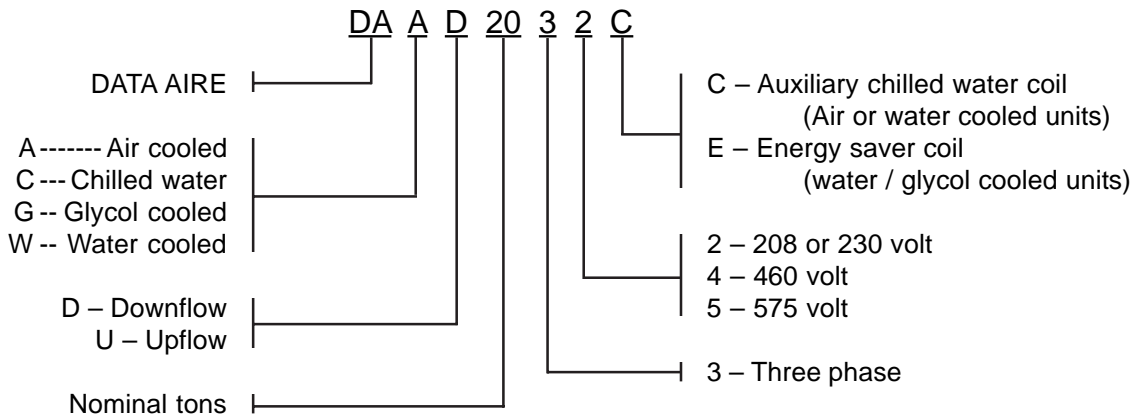
DATA TEMP SYSTEMS



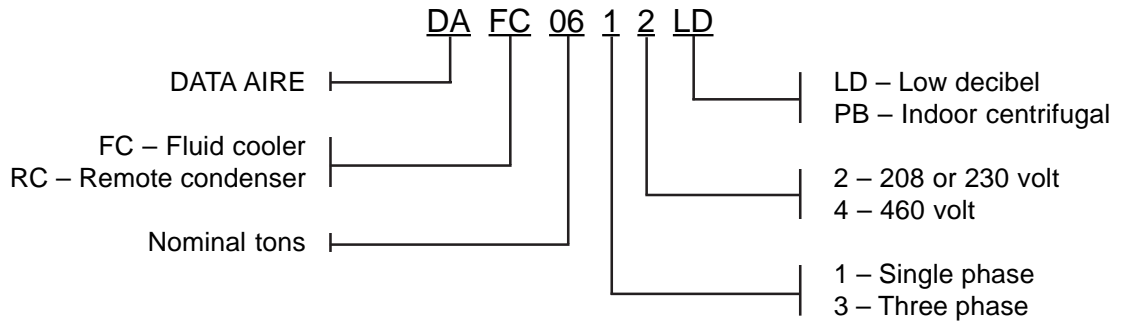
MODULAR DATA TEMP SYSTEMS



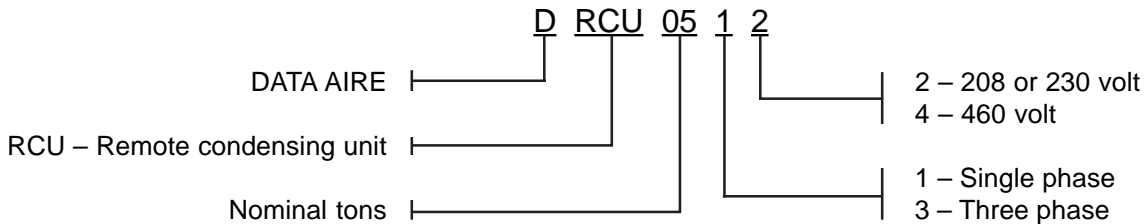
DATA AIRE SYSTEMS



AIR COOLED CONDENSERS AND FLUID COOLERS



CONDENSING UNITS

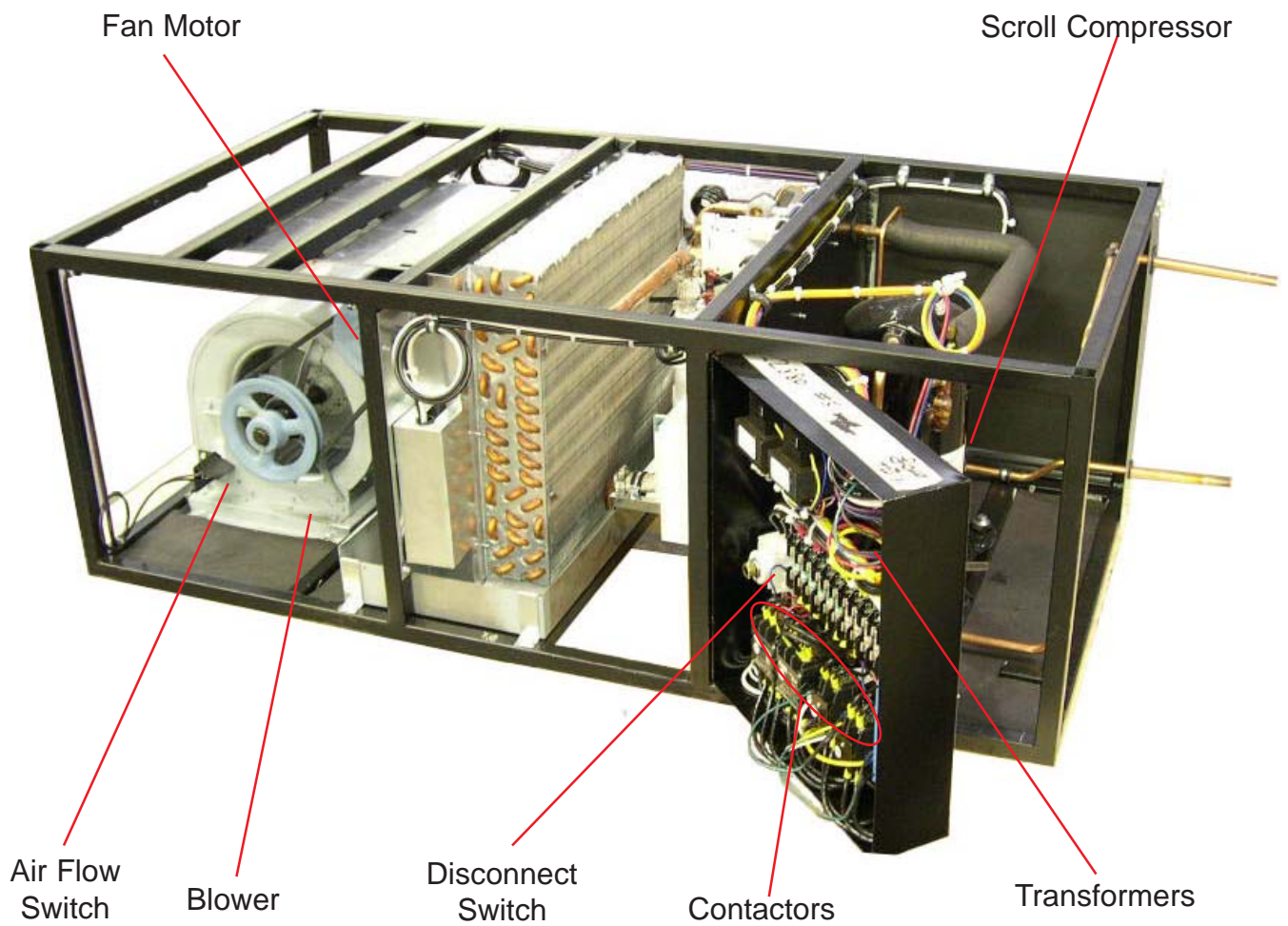


Parts are selected in the publication by the basic four character model designation:

- DAMA ----- Mini Ceiling
- DAPA ----- Mini-Plus Ceiling
- DALA ----- LCS
- DTAD ----- Data Temp
- DAAU ----- Data Aire Series

If a character represents multiple options but these options don't affect the selection of the spare part, the character will be replaced with an "x" indicating that any selection would be acceptable. For example a DAAx would indicate a Data Aire series unit air cooled, either upflow or downflow, would be acceptable.

Mini-Ceiling System 1, 1.5, 2, and 2.5 ton



MINI CEILING SYSTEM PARTS LIST

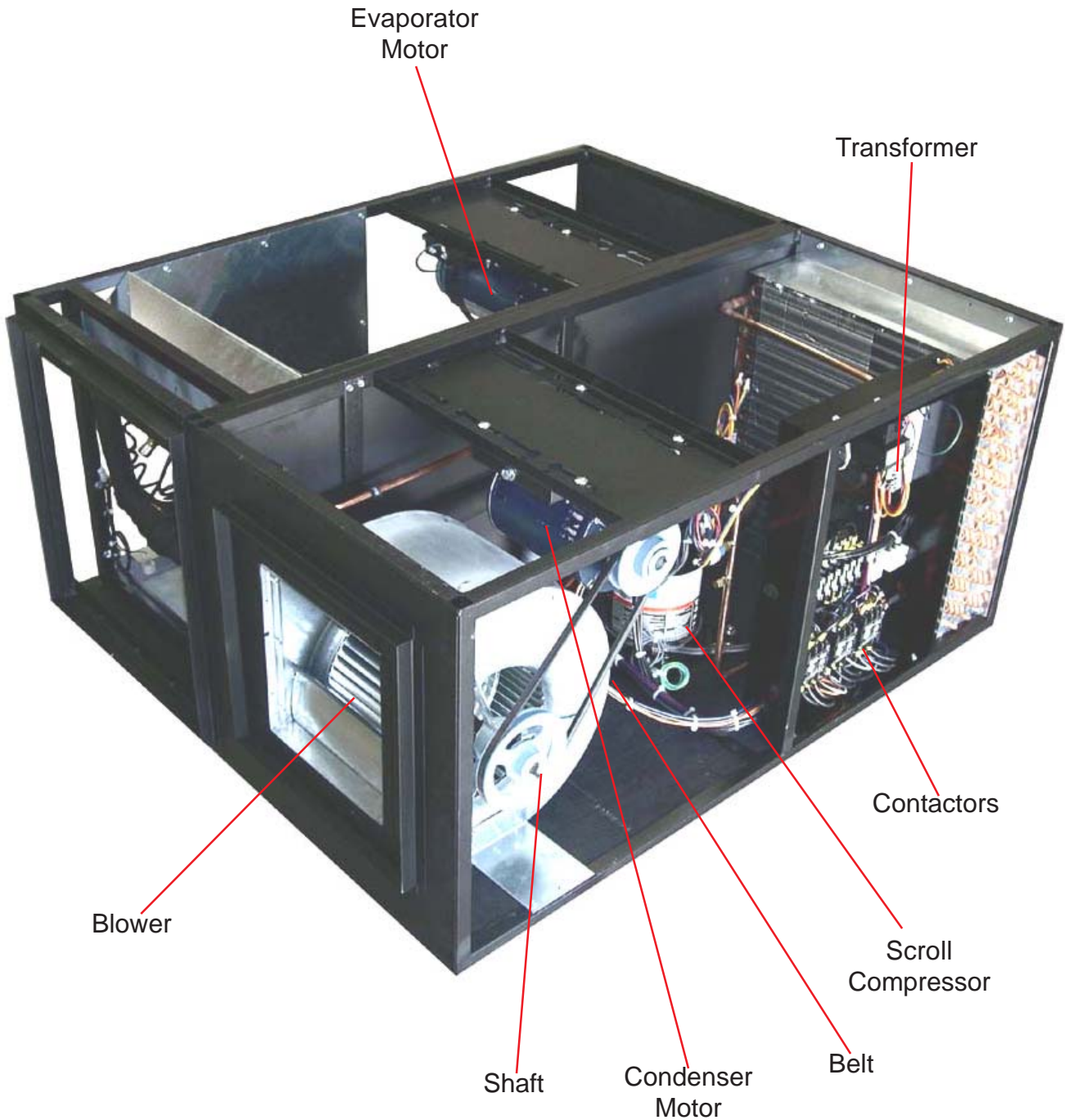
	MODEL NUMBER			
	<u>DAMx-01</u>	<u>DAMx-1.5</u>	<u>DAMx-02</u>	<u>DAMx-2.5</u>
<u>CONTROL COMPONENTS</u>				
Thermostat	158-420-001	158-420-001	158-420-001	158-420-001
Mini DAP II	160-200-145	160-200-145	160-200-145	160-200-145
Summary alarm contact	160-200-140	160-200-140	160-200-140	160-200-140
Humidity sensor	160-011-203	160-011-203	160-011-203	160-011-203
Temperature sensor	160-200-060	160-200-060	160-200-060	160-200-060
Contactora, 30amp 2 pole	152-030-009	152-030-009	152-030-009	152-030-009
Contactora, 30 amp 3 pole	152-030-000	152-030-000	152-030-000	152-030-000
Auxiliary contact switch	152-020-003	152-020-003	152-020-003	152-020-003
Transformer 208/230V	166-020-001	166-020-001	166-020-001	166-020-001
Transformer 277V	166-025-101	166-025-101	166-025-101	166-025-101
Pressure differential switch	159-245-001	159-245-001	159-245-001	159-245-001
Anti-short cycling timer	151-100-001	151-100-001	151-100-001	151-100-001
Time delay (low pressure)	151-100-007	151-100-007	151-100-007	151-100-007
Ambient thermostat	158-500-001	158-500-001	158-500-001	158-500-001
Terminal block	162-075-031	162-075-031	162-075-031	162-075-031
Disconnect switch, 40 amp	147-040-001	147-040-001	147-040-001	147-040-001
Disconnect handle/shaft	147-000-001	147-000-001	147-000-001	147-000-001
<u>REFRIGERATION COMPONENTS</u>				
Scroll compressor 208/230V	101-011-230	101-011-230	101-021-230	101-025-230
Crankcase heater 208/230V	153-035-001	153-035-001	153-035-001	153-035-001
Scroll compressor 277V	101-011-277	101-011-277	101-021-277	101-025-277
Crankcase heater 277V	153-035-006	153-035-006	153-035-006	153-035-006
High pressure cut out switch	159-100-006	159-100-006	159-100-006	159-100-006
Low pressure cut out switch	159-110-003	159-110-003	159-110-003	159-110-003
Filter drier	132-164-041	132-164-041	132-164-041	132-164-041
Expansion valve	120-010-010	120-000-001	120-000-002	120-020-010
Hot-gas bypass valve	117-030-001	117-030-001	117-030-001	117-030-001
Auxiliary side connection	117-031-001	117-031-001	117-031-001	117-031-001
<u>AIR HANDLING COMPONENTS</u>				
Fan motor, 3/4HP 208/230V	102-040-001	102-040-001	102-040-001	102-040-001
Fan motor, 3/4HP 277V	102-041-027	102-041-027	102-041-027	102-041-027
Blower assembly	169-091-041	169-091-041	169-091-071	169-091-071
Airflow switch	159-230-002	159-230-002	159-230-002	159-230-002
<u>REHEAT COMPONENTS</u>				
Reheat elmnt, 2kW 208/230V	153-020-220	153-020-220	153-020-220	153-020-220
Reheat element, 2 kW 277V	153-020-277	153-020-277	153-020-277	153-020-277
Reheat elmnt, 4 kW 208/230V	153-040-220	153-040-220	153-040-220	153-040-220
Reheat element, 4 kW 277V	153-040-277	153-040-277	153-040-277	153-040-277
Reheat elmnt, 5kW 208/230V	N/A	N/A	153-050-220	153-050-220
Reheat element, 5 kW 277V	N/A	N/A	153-050-277	153-050-277
High limit cut out switch	159-010-002	159-010-002	159-010-002	159-010-002
<u>HUMIDIFIER COMPONENTS</u>				
Strainer assembly	129-050-002	129-050-002	129-050-002	129-050-002
Cylinder, no. 102	154-050-003	154-050-003	154-050-003	154-050-003
Fill valve, no. 1	154-300-133	154-300-133	154-300-133	154-300-133
Drain valve	154-300-185	154-300-185	154-300-185	154-300-185
PC board	154-050-208	154-050-208	154-050-208	154-050-208
Nortec humidifier, MES-U-5C	154-050-001	154-050-001	154-050-001	154-050-001

MINI CEILING SYSTEM PARTS LIST

	MODEL NUMBER			
	<u>DAMx-01</u>	<u>DAMx-1.5</u>	<u>DAMx-02</u>	<u>DAMx-2.5</u>
<u>WATER/GLYCOL COMPONENTS</u>				
Water regulating valve, 2-way	127-010-005	127-010-005	127-010-001	127-010-001
Water regulating valve, 3-way	127-010-013	127-010-013	127-010-003	127-010-003
Coaxial coil condenser	136-010-030	136-010-030	136-010-030	136-010-030
<u>CHILLED WATER COMPONENTS</u>				
Valve body, 2-way	126-030-003	126-030-003	126-030-003	126-030-003
Valve body, 3-way	126-030-005	126-030-005	126-030-005	126-030-005
Electric actuator	126-030-007	126-030-007	126-030-007	126-030-007
<u>MISC. COMPONENTS</u>				
Condensate float switch	159-230-004	159-230-004	159-230-004	159-230-004
Condensate pmp, 115V 1-ABS	104-200-003	104-200-003	104-200-003	104-200-003
Condensate pmp, 230V 1-ABS	104-200-004	104-200-004	104-200-004	104-200-004
Filter, 60% 20x20x2	193-402-608	193-402-608	193-402-608	193-402-608
Return/supply grille	178-100-002	178-100-002	178-100-002	178-100-002
<u>PACKAGED CONDENSER “-P” COMPONENTS</u>				
Condnsr mtr, 1/2HP 208/230V	102-004-001	102-004-001	102-004-001	102-004-001
Condenser mtr, 1/2HP 277V	102-004-002	102-004-002	102-004-002	102-004-002
Condenser blower mtr assmby	169-111-071	169-111-071	169-111-071	169-111-071
Run capacitor	167-370-004	167-370-004	167-370-004	167-370-004
<u>OUTDOOR CONDENSING UNIT “-AO” COMPONENTS</u>				
Motor, 3/4HP 208/230V	102-002-900	102-002-900	102-002-900	102-002-900
Capacitor	167-370-150	167-370-150	167-370-150	167-370-150
Fan speed controller	159-100-007	159-100-007	159-100-007	159-100-007
Fan blade	176-024-005	176-024-005	176-024-005	176-024-005
Motor mount	176-025-003	176-025-003	176-025-003	176-025-003
Fan guard	176-024-003	176-024-003	176-024-003	176-024-003
<u>OUTDOOR CONDENSER UNIT “-CO” COMPONENTS</u>				
Motor, 3/4HP 208/230V	102-002-900	102-002-900	102-002-900	102-002-900
Capacitor	167-370-150	167-370-150	167-370-150	167-370-150
Fan speed controller	159-100-007	159-100-007	159-100-007	159-100-007
Fan blade	176-024-005	176-024-005	176-024-005	176-024-005
Motor mount	176-025-003	176-025-003	176-025-003	176-025-003
Fan guard	176-024-003	176-024-003	176-024-003	176-024-003
<u>INDOOR CONDENSING UNIT “-AI” COMPONENTS</u>				
Fan motor, 3/4HP 208/230V	102-040-001	102-040-001	102-040-001	102-040-001
Fan motor, 3/4HP 277V	102-041-027	102-041-027	102-041-027	102-041-027
Blower assembly	169-100-004	169-100-004	169-100-004	169-100-004
<u>INDOOR CONDENSER UNIT “-CI” COMPONENTS</u>				
Fan motor, 3/4HP 208/230V	102-040-001	102-040-001	102-040-001	102-040-001
Fan motor, 3/4HP 277V	102-041-027	102-041-027	102-041-027	102-041-027
Blower assembly	169-100-004	169-100-004	169-100-004	169-100-004

Mini-Plus Ceiling System

2.5, 3, 4, and 5 ton



MINI-PLUS CEILING SYSTEM PARTS LIST

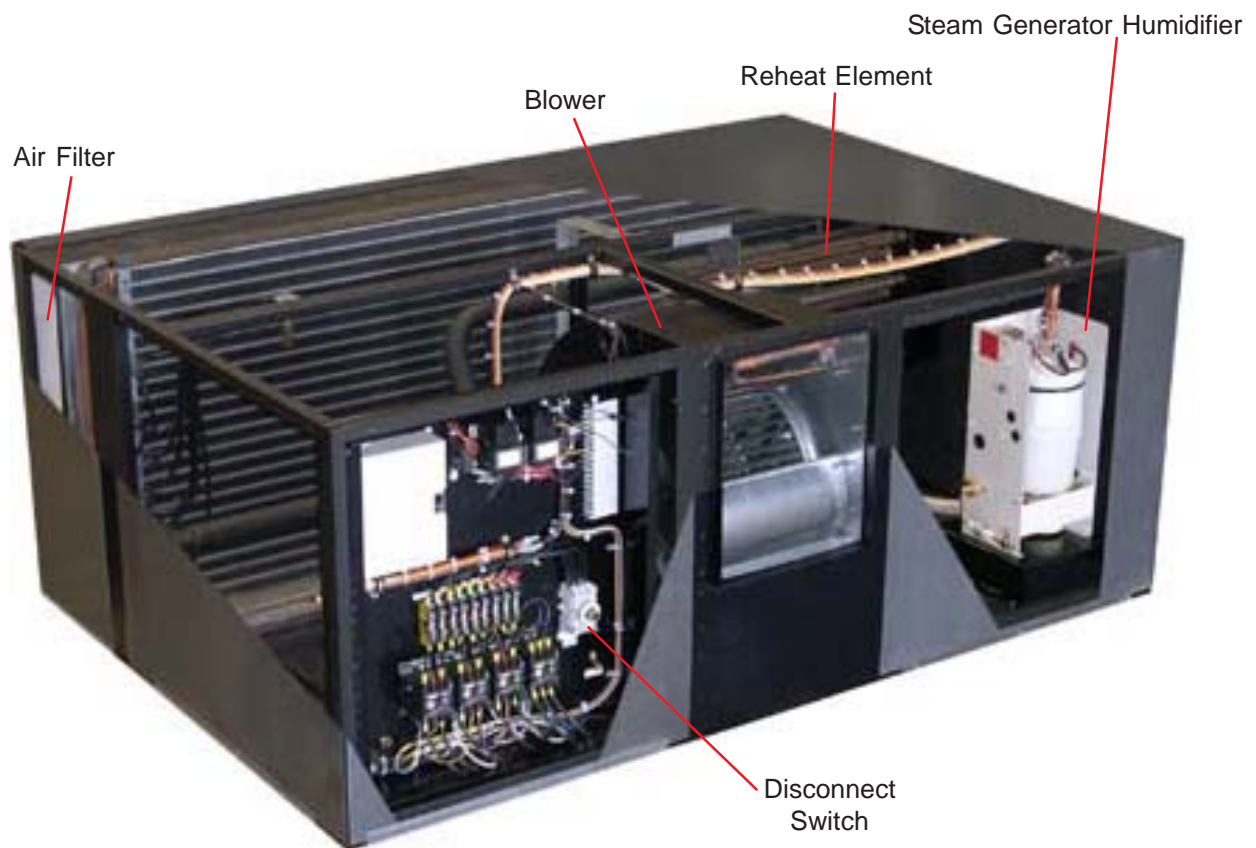
	MODEL NUMBER			
	<u>DAPx-2.5</u>	<u>DAPx-03</u>	<u>DAPx-04</u>	<u>DAPx-05</u>
<u>CONTROL COMPONENTS</u>				
Mini DAP II	160-200-145	160-200-145	160-200-145	160-200-145
Summary alarm contact	160-200-140	160-200-140	160-200-140	160-200-140
Humidity sensor	160-011-203	160-011-203	160-011-203	160-011-203
Temperature sensor	160-200-060	160-200-060	160-200-060	160-200-060
Contactora, 30 AMP 2 pole	152-030-009	152-030-009	152-030-009	152-030-009
Contactora, 30 AMP 3 pole	152-030-000	152-030-000	152-030-000	152-030-000
Auxiliary contact switch	152-020-003	152-020-003	152-020-003	152-020-003
Transformer	166-020-001	166-020-001	166-020-001	166-020-001
Pressure differential switch	159-245-001	159-245-001	159-245-001	159-245-001
Anti-short cycling timer	151-100-001	151-100-001	151-100-001	151-100-001
Time delay (low pressure)	151-100-007	151-100-007	151-100-007	151-100-007
Terminal block	162-075-031	162-075-031	162-075-031	162-075-031
Disconnect switch, 40 amp	147-040-001	147-040-001	147-040-001	147-040-001
Disconnect handle/shaft	147-000-001	147-000-001	147-000-001	147-000-001
<u>REFRIGERATION COMPONENTS</u>				
Scroll cmprssr 208/230V/1PH	101-025-230	101-031-230	101-041-230	101-051-230
Crankcase htr 208/230V/1PH	153-035-001	153-035-001	153-035-003	153-035-003
Scroll cmprssr 208/230V/3PH	101-025-330	101-033-230	101-043-230	101-053-230
Crankcase htr 208/230V/3PH	153-035-001	153-035-001	153-035-003	153-035-003
Scroll cmprssr 460V/3PH	101-025-460	101-033-460	101-043-460	101-053-460
Crankcase htr 460V/3PH	153-035-002	153-035-002	153-035-004	153-035-004
High pressure cut out switch	159-100-006	159-100-006	159-100-006	159-100-006
Low pressure cut out switch	159-110-003	159-110-003	159-110-003	159-110-003
Filter drier	132-164-041	132-164-041	132-164-041	132-164-041
Expansion valve	120-020-010	120-000-003	120-000-004	120-000-005
Hot-gas bypass valve	117-030-001	117-030-001	117-030-001	117-030-001
Auxiliary side connection	117-031-001	117-031-001	117-031-001	117-031-001
<u>AIR HANDLING COMPONENTS</u>				
Standard mtr 208/230V/1PH	102-030-001	102-040-001	102-050-012	102-060-010
Stnd mtr 208/230/460V/3PH	102-030-002	102-040-008	102-050-011	102-060-008
Blower assembly	169-100-004	169-100-004	169-100-008	169-100-008
Blower assembly (vertical)	169-010-001	169-010-001	N/A	N/A
Airflow switch	159-230-002	159-230-002	159-230-002	159-230-002
<u>REHEAT COMPONENTS</u>				
Reheat elmnt, 208/230V/1PH	153-020-220	153-020-220	153-020-220	153-020-220
Reheat elmnt, 208/230V/3PH	153-020-220	153-020-220	153-020-220	153-040-220
Reheat element, 460V	153-020-460	153-020-460	153-020-460	153-040-460
High limit cut out switch	159-010-002	159-010-002	159-010-002	159-010-002
<u>WATER/GLYCOL COMPONENTS</u>				
Water regulating valve, 2-way	127-010-001	127-010-001	127-010-002	127-010-002
Water regulating valve, 3-way	127-010-003	127-010-003	127-010-004	127-010-004
Coaxial coil condenser	136-010-030	136-010-030	136-010-030	136-010-030
<u>CHILLED WATER COMPONENTS</u>				
Valve body, 2-way	126-030-004	126-030-004	126-030-004	126-030-004
Valve body, 3-way	126-030-006	126-030-006	126-030-006	126-030-006
Electric actuator	126-030-007	126-030-007	126-030-007	126-030-007
<u>MISC. COMPONENTS</u>				
Condensate float switch	159-230-004	159-230-004	159-230-004	159-230-004
Condensate pmp, 115V 1-ABS	104-200-003	104-200-003	104-200-003	104-200-003
Condensate pmp, 230V 1-ABS	104-200-004	104-200-004	104-200-004	104-200-004
Filter, 60%	193-402-608	193-402-608	193-616-020	193-616-020

MINI-PLUS CEILING SYSTEM PARTS LIST

	MODEL NUMBER			
	<u>DAPx-2.5</u>	<u>DAPx-03</u>	<u>DAPx-04</u>	<u>DAPx-05</u>
<u>HUMIDIFIER COMPONENTS (5lb/hr)</u>				
Strainer assembly	129-050-002	129-050-002	129-050-002	129-050-002
Cylinder, no. 102 208/230V	154-050-003	154-050-003	154-050-003	154-050-003
Cylinder, no. 104 460V	154-050-004	154-050-004	154-050-004	154-050-004
Fill valve, no. 1	154-300-133	154-300-133	154-300-133	154-300-133
Drain valve	154-300-185	154-300-185	154-300-185	154-300-185
PC board 208/230V	154-050-208	154-050-208	154-050-208	154-050-208
PC board 460V	154-050-460	154-050-460	154-050-460	154-050-460
Nortec hmdfr, MES-U-5C 208/230V	154-050-001	154-050-001	154-050-001	154-050-001
Nortec hmdfr, MES-U-5C 460V	154-050-002	154-050-002	154-050-002	154-050-002
<u>HUMIDIFIER COMPONENTS (10lb/hr)</u>				
Strainer assembly	N/A	N/A	129-050-002	129-050-002
Cylinder, no. 202 208/230V	N/A	N/A	154-060-006	154-060-006
Cylinder, no. 204 460V	N/A	N/A	154-060-007	154-060-007
Fill valve, no. 1	N/A	N/A	154-300-133	154-300-133
Drain valve	N/A	N/A	154-300-185	154-300-185
PC board 208/230V	N/A	N/A	154-100-208	154-100-208
PC board 460V	N/A	N/A	154-100-460	154-100-460
Nortec hmdfr, MES-U-10L 208/230V	N/A	N/A	154-070-230	154-070-230
Nortec hmdfr, MES-U-10H 460V	N/A	N/A	154-070-460	154-070-460
<u>PACKAGED CONDENSER/AIR COOLED “-P” COMPONENTS</u>				
Condenser mtr 208/230V/1PH	102-040-001	102-050-012	102-060-010	102-070-010
Condnsr mtr, 208/230V/460V/3PH	102-040-002	102-050-011	102-060-008	102-070-007
Condenser blower assembly	169-100-004	169-100-008	169-100-008	169-100-008
<u>OUTDOOR CONDENSING UNIT “-AO” COMPONENTS</u>				
Motor, 3/4HP 208/230/460V	102-002-900	102-002-900	102-002-900	102-002-900
Capacitor	167-370-150	167-370-150	167-370-150	167-370-150
Fan speed controller	159-100-007	159-100-007	159-100-007	159-100-007
Fan blade	176-024-005	176-024-005	176-024-005	176-024-005
Motor mount	176-025-003	176-025-003	176-025-003	176-025-003
Fan guard	176-024-003	176-024-003	176-024-003	176-024-003
<u>OUTDOOR CONDENSER UNIT “-CO” COMPONENTS</u>				
Motor, 3/4HP 208/230/460V	102-002-900	102-002-900	102-002-900	102-002-900
Capacitor	167-370-150	167-370-150	167-370-150	167-370-150
Fan speed controller	159-100-007	159-100-007	159-100-007	159-100-007
Fan blade	176-024-005	176-024-005	176-024-005	176-024-005
Motor mount	176-025-003	176-025-003	176-025-003	176-025-003
Fan guard	176-024-003	176-024-003	176-024-003	176-024-003
<u>INDOOR CONDENSING UNIT “-AI” COMPONENTS</u>				
Condenser mtr, 208/230V/1PH	102-040-001	102-050-012	102-060-010	102-070-010
Condnsr mtr, 208/230V/460V/3PH	102-040-002	102-050-011	102-060-008	102-070-007
Condenser blower assembly	169-100-004	169-100-008	169-100-008	169-100-008
<u>INDOOR CONDENSER UNIT “-CI” COMPONENTS</u>				
Condenser mtr, 208/230V/1PH	102-040-001	102-050-012	102-060-010	102-070-010
Condnsr mtr, 208/230V/460V/3PH	102-040-002	102-050-011	102-060-008	102-070-007
Condenser blower assembly	169-100-004	169-100-008	169-100-008	169-100-008
<u>WATER/GLYCOL COOLED-INDOOR CONDENSING UNIT “-WS” COMPONENTS</u>				
SEE WATER/GLYCOL COMPONENTS				

LCS

8, 10, and 13 ton



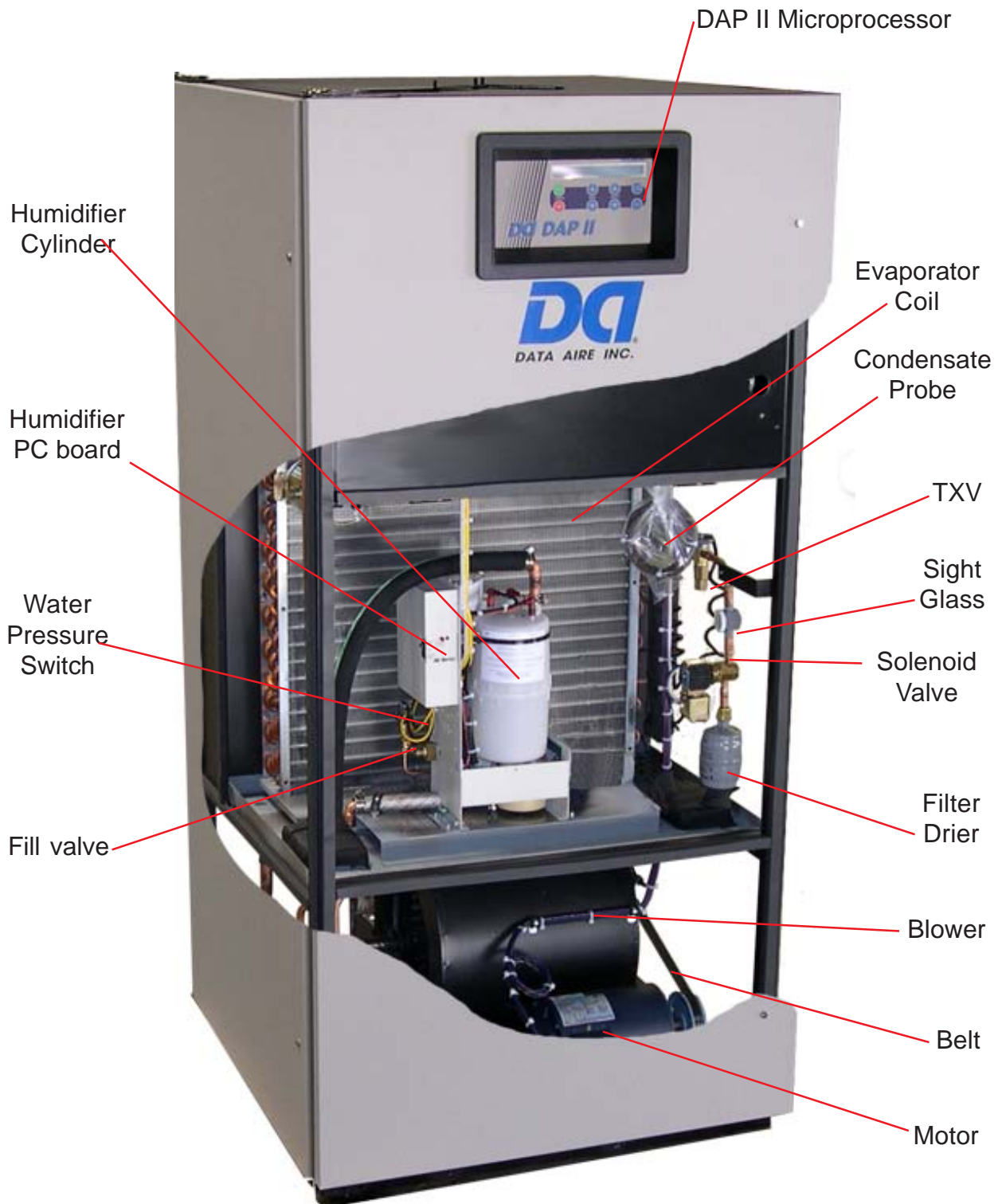
LCS PARTS LIST

	MODEL NUMBER			
	<u>DALx-06</u>	<u>DALx-08</u>	<u>DALx-10</u>	<u>DALx-13</u>
<u>CONTROL COMPONENTS</u>				
Mini DAP II	160-200-145	160-200-145	160-200-145	160-200-145
Summary alarm contact	160-200-140	160-200-140	160-200-140	160-200-140
Humidity sensor	160-011-203	160-011-203	160-011-203	160-011-203
Temperature sensor	160-200-060	160-200-060	160-200-060	160-200-060
Contact, 30 amp	152-030-000	152-030-000	152-030-000	152-030-000
Contact, comprsr 208/230V	152-030-000	152-030-000	152-030-040	152-030-060
Auxiliary contact switch	152-020-003	152-020-003	152-020-003	152-020-003
Transformer	166-020-001	166-020-001	166-020-001	166-020-001
Pressure differential switch	159-245-001	159-245-001	159-245-001	159-245-001
Time delay (for low pressure)	151-100-007	151-100-007	151-100-007	151-100-007
Terminal block	162-125-031	162-125-031	162-125-031	162-125-031
Disconnect switch, 80 amp	147-080-001	147-080-001	147-080-001	147-080-001
Disconnect switch, 40 amp	147-040-001	147-040-001	147-040-001	147-040-001
Disconnect handle/shaft	147-000-001	147-000-001	147-000-001	147-000-001
<u>MISC. COMPONENTS</u>				
Condensate float switch	159-230-004	159-230-004	159-230-004	159-230-004
Condensate pmp, 115V 1-ABS	104-200-003	104-200-003	104-200-003	104-200-003
Condensate pmp, 230V 1-ABS	104-200-004	104-200-004	104-200-004	104-200-004
Air filter, 30% 16x25x4 (2)	193-416-254	193-416-254	193-416-254	193-416-254
Air filter, 30% 20x25x4 (2)	193-420-254	193-420-254	193-420-254	193-420-254
<u>REFRIGERATION COMPONENTS (SINGLE COMPRESSOR)</u>				
Scroll compressor 208/230V	101-063-230	101-074-230	101-104-230	101-133-230
Crankcase heater	153-035-003	153-090-001	153-090-001	153-090-001
Scroll compressor 460V	101-063-460	101-074-460	101-104-460	101-133-460
Crankcase heater	153-035-004	153-090-002	153-090-002	153-090-002
High pressure cut out switch	159-100-006	159-100-006	159-100-006	159-100-006
Low pressure cut out switch	159-110-003	159-110-003	159-110-003	159-110-003
Expansion valve	120-000-006	120-000-008	120-000-010	120-000-015
Filter drier	132-164-041	132-164-058	132-164-058	132-164-058
Hot-gas bypass valve	117-030-001	117-030-001	117-030-001	117-030-001
Auxiliary side connection	117-031-001	117-031-002	117-031-002	117-031-002
<u>REFRIGERATION COMPONENTS (DUAL COMPRESSOR)</u>				
Scroll compressor 208/230V	101-033-230	101-043-230	101-053-230	101-063-230
Crankcase heater	153-035-001	153-035-003	153-035-003	153-035-003
Scroll compressor 460V	101-043-460	101-053-460	101-063-460	
Crankcase heater	153-035-002	153-035-004	153-035-004	153-035-004
High pressure cut out switch	159-100-006	159-100-006	159-100-006	159-100-006
Low pressure cut out switch	159-110-003	159-110-003	159-110-003	159-110-003
Expansion valve	120-000-003	120-000-004	120-000-005	120-000-006
Filter drier	132-164-041	132-164-041	132-164-041	132-164-041
Hot-gas bypass valve	117-030-001	117-030-001	117-030-001	117-030-001
Auxiliary side connection	117-031-001	117-031-001	117-031-001	117-031-001
<u>AIR HANDLING COMPONENTS</u>				
Standard motor 208/230/460V	102-060-008	102-070-007	102-080-006	102-090-004
Blower (housing and wheel)	169-150-090	169-150-090	169-150-090	169-150-090
Bearing, pillow block	N/A	N/A	174-110-002	174-110-002
Bearing, 1"	174-111-003	174-111-003	174-111-003	174-111-003
Shaft	173-016-210	173-016-210	173-016-210	173-016-210
Airflow switch	159-230-002	159-230-002	159-230-002	159-230-002
<u>REHEAT COMPONENTS</u>				
Reheat element 208/230V	153-050-220	153-050-220	153-050-220	153-050-220
Reheat element, 460V	153-050-460	153-050-460	153-050-460	153-050-460
High limit cut out switch	159-010-002	159-010-002	159-010-002	159-010-002

LCS PARTS LIST

	MODEL NUMBER			
	<u>DALx-06</u>	<u>DALx-08</u>	<u>DALx-10</u>	<u>DALx-13</u>
<u>CHILLED WATER COMPONENTS</u>				
Valve assembly, 3-way	127-020-001	127-020-002	127-020-002	127-020-002
Valve assembly, 2-way	127-020-003	127-020-004	127-020-004	127-020-004
<u>WATER/GLYCOL COMPONENTS (SINGLE CIRCUIT)</u>				
Water regulating valve, 2-way	127-010-002	127-010-006	127-010-007	127-010-007
Water regulating valve, 3-way	127-010-004	127-010-008	127-010-008	127-010-008
Plate fin condenser	110-010-075	110-010-075	110-027-100	110-027-125
<u>WATER/GLYCOL COMPONENTS (DUAL CIRCUIT)</u>				
Water regulating valve 2-way	127-010-001	127-010-002	127-010-002	127-010-002
Water regulating valve 3-way	127-010-003	127-010-004	127-010-004	127-010-004
Plate fin condenser	110-008-030	110-008-040	10-008-050	110-010-075
<u>HUMIDIFIER COMPONENTS (10lb/hr)</u>				
Strainer assembly	129-050-002	129-050-002	129-050-002	129-050-002
Cylinder, no. 202 208/230V	154-060-006	154-060-006	154-060-006	154-060-006
Cylinder, no.204 460V	154-060-007	154-060-007	154-060-007	154-060-007
Fill valve, no. 1	154-300-133	154-300-133	154-300-133	154-300-133
Drain valve	154-300-185	154-300-185	154-300-185	154-300-185
PC board 208/230V	154-100-208	154-100-208	154-100-208	154-100-208
PC board 460V	154-100-460	154-100-460	154-100-460	154-100-460
Nortec hmdfr, MES-U-10L208/230V	154-070-230	154-070-230	154-070-230	154-070-230
Nortec hmdfr, MES-U-10H 460V	154-070-460	154-070-460	154-070-460	154-070-460
<u>HUMIDIFIER COMPONENTS (30 lb/hr)</u>				
Strainer assembly	129-050-002	129-050-002	129-050-002	129-050-002
Cylinder, no. 403 208/230V	154-060-004	154-060-004	154-060-004	154-060-004
Cylinder, no. 411 460V	154-060-005	154-060-005	154-060-005	154-060-005
Fill valve, no. 2	154-300-134	154-300-134	154-300-134	154-300-134
Drain valve	154-300-185	154-300-185	154-300-185	154-300-185
PC board 208/230V	154-300-208	154-300-208	154-300-208	154-300-208
PC board 460V	154-300-460	154-300-460	154-300-460	154-300-460
Nortec hmdfr MES-U-30L 208/230V	154-060-001	154-060-001	154-060-001	154-060-001
Nortec hmdfr, MES-U-30H 460V	154-060-002	154-060-002	154-060-002	154-060-002
<u>OUTDOOR CONDENSING UNIT "-AO" COMPONENTS</u>				
Motor, 3/4HP 208/230/460V	102-002-900	102-002-900	102-002-900	102-002-900
Capacitor	167-370-150	167-370-150	167-370-150	167-370-150
Fan speed cntrlr(single circuit)	159-100-007	159-100-007	159-100-007	159-100-007
Fan speed cntrlr (dual circuit)	159-100-008	159-100-008	159-100-008	159-100-008
Fan blade	176-024-005	176-024-005	176-024-005	176-024-005
Motor mount	176-025-003	176-025-003	176-025-003	176-025-003
Fan guard	176-024-003	176-024-003	176-024-003	176-024-003
<u>OUTDOOR CONDENSER UNIT "-CO" COMPONENTS</u>				
Motor, 3/4HP 208/230/460V	102-002-900	102-002-900	102-002-900	102-002-900
Capacitor	167-370-150	167-370-150	167-370-150	167-370-150
Fan speed cntrlr (single circuit)	159-100-007	159-100-007	159-100-007	159-100-007
Fan speed cntrlr (dual circuit)	159-100-008	159-100-008	159-100-008	159-100-008
Fan blade	176-024-005	176-024-005	176-024-005	176-024-005
Motor mount	176-025-003	176-025-003	176-025-003	176-025-003
Fan guard	176-024-003	176-024-003	176-024-003	176-024-003

Data Temp 2, 3, 4, and 5 ton



DATA TEMP SYSTEM PART LIST

	MODEL NUMBER			
	<u>DTxx-02</u>	<u>DTxx-03</u>	<u>DTxx-04</u>	<u>DTxx-05</u>
<u>CONTROL COMPONENTS</u>				
Data Alarm Processor II-DAP II	160-300-080	160-300-080	160-300-080	160-300-080
Humidity sensor	160-011-203	160-011-203	160-011-203	160-011-203
Temperature sensor	160-200-060	160-200-060	160-200-060	160-200-060
Expansion module (for DAP II)	160-300-081	160-300-081	160-300-081	160-300-081
Network comm card (DAP II)	160-300-082	160-300-082	160-300-082	160-300-082
N-2 Network com crd (DAP II)	160-300-183	160-300-183	160-300-183	160-300-183
Contactor, 30 amp 2 pole	152-030-009	152-030-009	152-030-009	152-030-009
Contactor, 30 amp 3 pole	152-030-000	152-030-000	152-030-000	152-030-000
Auxiliary contact switch	152-020-003	152-020-003	152-020-003	152-020-003
Transformer	166-020-001	166-020-001	166-020-001	166-020-001
Isolation transformer	166-020-006	166-020-006	166-020-006	166-020-006
Pressure differential switch	159-245-001	159-245-001	159-245-001	159-245-001
Time delay (for low pressure)	151-100-007	151-100-007	151-100-007	151-100-007
Terminal block	162-125-031	162-125-031	162-125-031	162-125-031
Disconnect switch, 80 amp	147-080-001	147-080-001	147-080-001	147-080-001
Disconnect switch, 100 amp	N/A	N/A	147-100-001	147-100-001
Disconnect handle/shaft	147-000-001	147-000-001	147-000-001	147-000-001
<u>REFRIGERATION COMPONENTS</u>				
Scroll comprsr 208/230V/1PH	101-021-230	101-031-230	101-041-230	101-051-230
Crankcase htr 208/230V/1PH	153-035-001	153-035-001	153-035-003	153-035-003
Scroll comprsr 208/230V/3PH	101-023-330	101-033-230	101-043-230	101-053-230
Crankcase htr 208/230V/3PH	153-035-001	153-035-001	153-035-003	153-035-003
Scroll compressor 460V/3PH	101-025-460	101-033-460	101-043-460	101-053-460
Crankcase heater 460V/3PH	153-035-002	153-035-002	153-035-004	153-035-004
High pressure cut out switch	159-100-006	159-100-006	159-100-006	159-100-006
Low pressure cut out switch	159-110-003	159-110-003	159-110-003	159-110-003
Filter drier	132-164-041	132-164-041	132-164-041	132-164-041
Expansion valve	120-000-002	120-000-003	120-000-004	120-000-005
Hot-gas bypass valve	117-030-001	117-030-001	117-030-001	117-030-001
Auxiliary side connection	117-031-001	117-031-001	117-031-001	117-031-001
<u>AIR HANDLING COMPONENTS</u>				
Standard motor 208/230V/1PH	102-030-001	102-040-001	102-050-012	102-060-010
Standrd mtr 208/230/460V/3PH	102-030-002	102-040-008	102-050-011	102-060-008
Blower assembly	169-100-008	169-100-008	169-012-012	169-012-012
Airflow switch	159-230-002	159-230-002	159-230-002	159-230-002
<u>REHEAT COMPONENTS</u>				
Reheat element 208/230V	153-020-220	153-040-220	153-040-220	153-040-220
Reheat element, 460V	153-020-460	153-040-460	153-040-460	153-040-460
High limit cut out switch	159-010-002	159-010-002	159-010-002	159-010-002

DATA TEMP SYSTEM PART LIST

	MODEL NUMBER			
	<u>DTxx-02</u>	<u>DTxx-03</u>	<u>DTxx-04</u>	<u>DTxx-05</u>
<u>HUMIDIFIER COMPONENTS</u>				
Water pressure switch	159-300-002	159-300-002	159-300-002	159-300-002
Strainer assembly	129-050-002	129-050-002	129-050-002	129-050-002
Cylinder, no. 202 208/230V	154-060-006	154-060-006	154-060-006	154-060-006
Cylinder, no t.204 460V	154-060-007	154-060-007	154-060-007	154-060-007
Fill valve, no. 1	154-300-133	154-300-133	154-300-133	154-300-133
Drain valve	154-300-185	154-300-185	154-300-185	154-300-185
PC board 208/230V	154-100-208	154-100-208	154-100-208	154-100-208
PC board 460V	154-100-460	154-100-460	154-100-460	154-100-460
Nortec hmdfr, MES-U-10L 208/230V	154-070-230	154-070-230	154-070-230	154-070-230
Nortec hmdfr, MES-U-10H 460V	154-070-460	154-070-460	154-070-460	154-070-460
<u>WATER/GLYCOL COMPONENTS</u>				
Water regulating valve, 2-way	127-010-001	127-010-001	127-010-002	127-010-002
Water regulating valve, 3-way	127-010-003	127-010-003	127-010-004	127-010-004
Coaxial coil condenser	136-010-030	136-010-030	136-010-030	136-010-030
<u>CHILLED WATER COMPONENTS</u>				
Valve assembly, 2-way	127-020-003	127-020-003	127-020-003	127-020-003
Valve assembly, 3-way	127-020-001	127-020-001	127-020-001	127-020-001
<u>MISC. COMPONENTS</u>				
Condensate probe	160-011-101	160-011-101	160-011-101	160-011-101
Condensate pump, 115V	104-200-115	104-200-115	104-200-115	104-200-115
Condensate pump, 208/230V	104-200-208	104-200-208	104-200-208	104-200-208
Condensate pump, 460V	104-200-460	104-200-460	104-200-460	104-200-460
Smoke detector	159-200-004	159-200-004	159-200-004	159-200-004
Return air grille	178-024-024	178-024-024	178-024-024	178-024-024
Air filter, 30% 24x24x2	193-202-412	193-202-412	193-202-412	193-202-412
<u>OUTDOOR CONDENSING UNIT “-AO” COMPONENTS</u>				
Motor, 3/4HP 208/230/460V	102-002-900	102-002-900	102-002-900	102-002-900
Capacitor	167-370-150	167-370-150	167-370-150	167-370-150
Fan speed controller	159-100-007	159-100-007	159-100-007	159-100-007
Fan blade	176-024-005	176-024-005	176-024-005	176-024-005
Motor mount	176-025-003	176-025-003	176-025-003	176-025-003
Fan guard	176-024-003	176-024-003	176-024-003	176-024-003

MODULAR DATA TEMP SYSTEM PART LIST

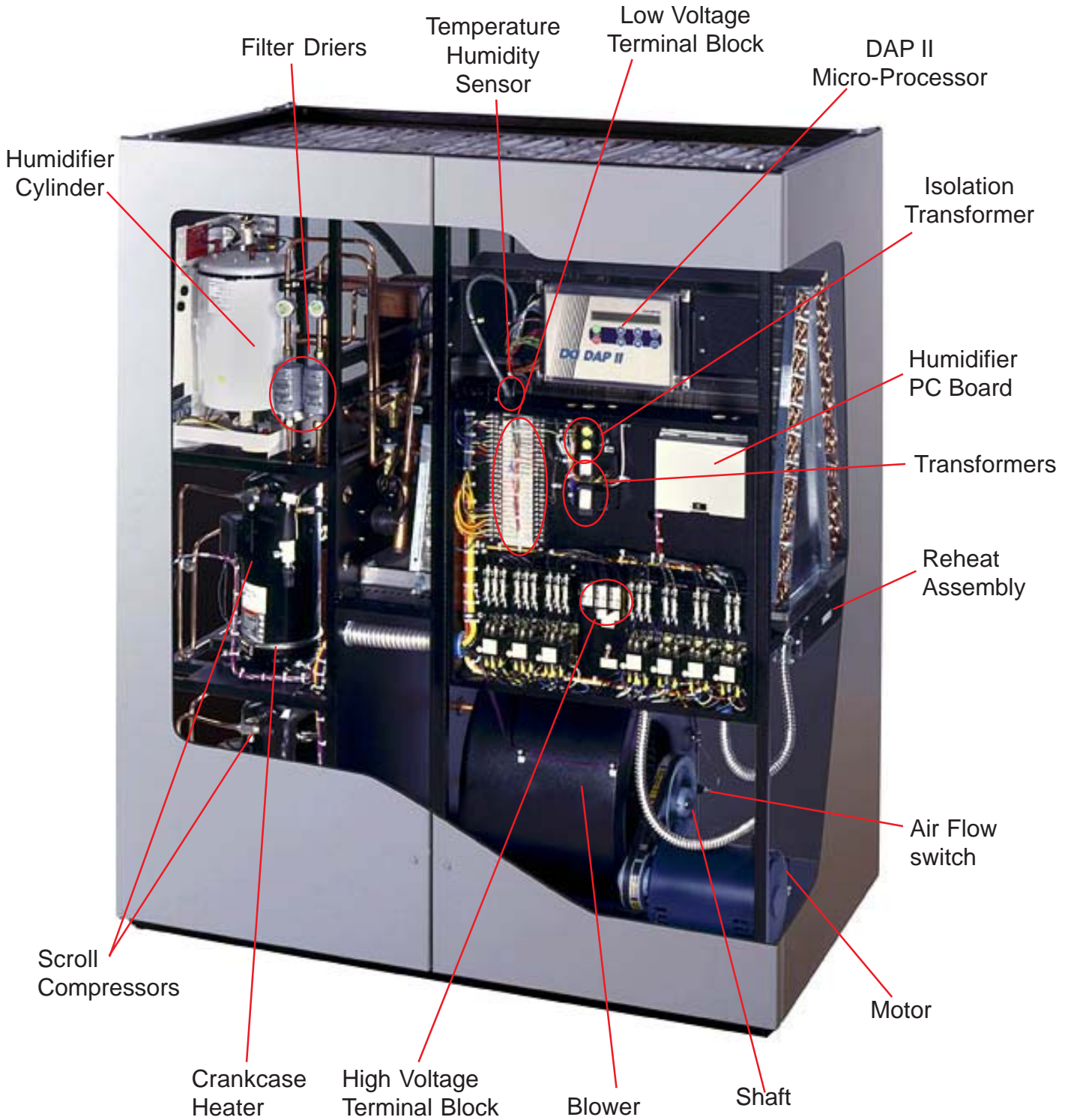
	MODEL NUMBER		
	<u>DTxx-08</u>	<u>DTxx-10</u>	<u>DTxx-13</u>
<u>CONTROL COMPONENTS</u>			
Data Alarm Processor II (DAP II)	160-300-080	160-300-080	160-300-080
Humidity sensor	160-011-203	160-011-203	160-011-203
Temperature sensor	160-200-060	160-200-060	160-200-060
Expansion module (for DAP II)	160-300-081	160-300-081	160-300-081
Network comm card (for DAP II)	160-300-082	160-300-082	160-300-082
N-2 Network comm card (for DAP II)	160-300-183	160-300-183	160-300-183
Contactora, 30 amp	152-030-000	152-030-000	152-030-000
Contactora, compressor 208/230V	152-030-000	152-030-040	152-030-060
Auxiliary contact switch	152-020-003	152-020-003	152-020-003
Transformer	166-020-001	166-020-001	166-020-001
Isolation transformer	166-020-006	166-020-006	166-020-006
Pressure differential switch	159-245-001	159-245-001	159-245-001
Time delay (low pressure)	151-100-007	151-100-007	151-100-007
Terminal block	162-125-031	162-125-031	162-125-031
Disconnect switch, 80 amp	147-080-001	147-080-001	147-080-001
Disconnect switch, 100 amp	N/A	147-100-001	147-100-001
Disconnect handle/shaft	147-000-001	147-000-001	147-000-001
Disconnect switch, 175 amp	N/A	N/A	147-175-001
Disconnect handle/shaft	N/A	N/A	147-175-002
<u>REFRIGERATION COMPONENTS</u>			
Scroll compressor 208/230V	101-074-230	101-104-230	101-133-230
Crankcase heater 208/230V	153-090-001	153-090-001	153-090-001
Scroll compressor 460V	101-074-460	101-104-460	101-133-460
Crankcase heater 460V	153-090-002	153-090-002	153-090-002
High pressure cut out switch	159-100-006	159-100-006	159-100-006
Low pressure cut out switch	159-110-003	159-110-003	159-110-003
Filter drier	132-164-058	132-164-058	132-164-058
Expansion valve	120-000-008	120-000-010	120-000-015
Hot-gas bypass valve	117-030-001	117-030-001	117-030-001
Auxiliary side connection	117-031-002	117-031-002	117-031-002
<u>AIR HANDLING COMPONENTS</u>			
Standard motor 208/230/460V	102-070-007	102-080-006	102-080-006
Blower housing and wheel, upflow	169-150-090	169-150-090	169-150-090
Blower housing and wheel, downflow	169-150-110	169-150-110	169-150-110
Bearing, pillow block	174-110-002	174-110-002	174-110-002
Bearing, 1"	174-111-003	174-111-003	174-111-003
Shaft	173-016-210	173-016-210	173-016-210
Airflow switch	159-230-002	159-230-002	159-230-002

MODULAR DATA TEMP SYSTEM PART LIST

	MODEL NUMBER		
	<u>DTxx-08</u>	<u>DTxx-10</u>	<u>DTxx-13</u>
<u>REHEAT COMPONENTS</u>			
Reheat element, 208/230V	153-050-220	153-050-220	153-050-220
Reheat element, 460V	153-050-460	153-050-460	153-050-460
High limit cut out switch	159-010-002	159-010-002	159-010-002
<u>HUMIDIFIER COMPONENTS</u>			
Water pressure switch	159-300-002	159-300-002	159-300-002
Strainer assembly	129-050-002	129-050-002	129-050-002
Cylinder, no. 202 208/230V	154-060-006	154-060-006	154-060-006
Cylinder, no. 204 460V	154-060-007	154-060-007	154-060-007
Fill valve, no. 1	154-300-133	154-300-133	154-300-133
Drain valve	154-300-185	154-300-185	154-300-185
PC board 208/230V	154-100-208	154-100-208	154-100-208
PC board 460V	154-100-460	154-100-460	154-100-460
Nortec humidifier, MES-U-10L 208/230V	154-070-230	154-070-230	154-070-230
Nortec humidifier, MES-U-10H 460V	154-070-460	154-070-460	154-070-460
<u>WATER/GLYCOL COMPONENTS</u>			
Water regulating valve, 2-way	127-010-006	127-010-007	127-010-007
Water regulating valve, 3-way	127-010-008	127-010-008	127-010-008
Plate fin condenser	110-010-075	110-027-100	110-027-125
<u>MISC. COMPONENTS</u>			
Condensate probe	160-011-101	160-011-101	160-011-101
Condensate pump, 115V	104-200-115	104-200-115	104-200-115
Condensate pump, 208/230V	104-200-208	104-200-208	104-200-208
Condensate pump, 460V	104-200-460	104-200-460	104-200-460
Smoke detector	159-200-004	159-200-004	159-200-004
Return air grille, 26x14	178-110-003	178-110-003	178-110-003
Return air grille, 14x6	178-110-005	178-110-005	178-110-005
Air filter, 30% 16x25x4	193-416-254	193-416-254	193-016-254
<u>OUTDOOR CONDENSING UNIT "-AO" COMPONENTS</u>			
Motor, 3/4HP 208/230/460V	102-002-900	102-002-900	102-002-900
Capacitor	167-370-150	167-370-150	167-370-150
Fan speed controller	159-100-007	159-100-007	159-100-007
Fan blade	176-024-005	176-024-005	176-024-005
Motor mount	176-025-003	176-025-003	176-025-003
Fan guard	176-024-003	176-024-003	176-024-003

Data Aire Series

6, 8, 10, 13, 16, 20, 26, and 30 ton DX



DATA AIRE Series PART LIST
AIR/WATER/GLYCOL 6 to 13 ton

	MODEL NUMBER			
	<u>DAxx-06</u>	<u>DAxx-08</u>	<u>DAxx-10</u>	<u>DAxx-13</u>
<u>CONTROL COMPONENTS</u>				
Data Alarm Processor II-DAP II	160-300-080	160-300-080	160-300-080	160-300-080
Humidity sensor	160-011-203	160-011-203	160-011-203	160-011-203
Temperature sensor	160-200-060	160-200-060	160-200-060	160-200-060
Expansion module (DAP II)	160-300-081	160-300-081	160-300-081	160-300-081
Network comm card (DAP II)	160-300-082	160-300-082	160-300-082	160-300-082
N-2 Network comm card	160-300-183	160-300-183	160-300-183	160-300-183
Contactora, 30 amp	152-030-000	152-030-000	152-030-000	152-030-000
Auxiliary contact switch	152-020-003	152-020-003	152-020-003	152-020-003
Transformer	166-020-001	166-020-001	166-020-001	166-020-001
Isolation transformer	166-020-006	166-020-006	166-020-006	166-020-006
Pressure differential switch	159-245-001	159-245-001	159-245-001	159-245-001
Time delay (for low pressure)	151-100-007	151-100-007	151-100-007	151-100-007
Terminal block	162-125-031	162-125-031	162-125-031	162-125-031
Disconnect switch, 80 amp	147-080-001	147-080-001	147-080-001	147-080-001
Disconnect switch, 100 amp	N/A	N/A	147-100-001	147-100-001
Disconnect handle/shaft	147-000-001	147-000-001	147-000-001	147-000-001
<u>REFRIGERATION COMPONENTS</u>				
Scroll compressor 208/230V	101-033-230	101-043-230	101-053-230	101-063-230
Crankcase heater 208/230V	153-035-001	153-035-003	153-035-003	153-035-003
Scroll compressor 460 V	101-033-460	101-043-460	101-053-460	101-063-460
Crankcase heater 460 V	153-035-002	153-035-004	153-035-004	153-035-004
High pressure cut out switch	159-100-006	159-100-006	159-100-006	159-100-006
Low pressure cut out switch	159-110-003	159-110-003	159-110-003	159-110-003
Filter drier	132-164-041	132-164-041	132-164-041	132-164-041
Expansion valve	120-000-003	120-000-004	120-000-005	120-000-006
Hot-gas bypass valve	117-030-001	117-030-001	117-030-001	117-030-001
Auxiliary side connection	117-031-001	117-031-001	117-031-001	117-031-001
<u>AIR HANDLING COMPONENTS</u>				
Standard motor 208/230/460V	102-050-011	102-070-007	102-080-006	102-080-006
Blower housing and wheel	169-150-110	169-150-110	169-150-110	169-150-110
Bearing, pillow block	N/A	N/A	174-110-002	174-110-002
Bearing, 1"	174-111-003	174-111-003	174-111-003	174-111-003
Shaft	173-016-210	173-016-210	173-016-210	173-016-210
Airflow switch	159-230-002	159-230-002	159-230-002	159-230-002

DATA AIRE Series PART LIST
AIR/WATER/GLYCOL 6 to 13 ton

	MODEL NUMBER			
	<u>DAxx-06</u>	<u>DAxx-08</u>	<u>DAxx-10</u>	<u>DAxx-13</u>
<u>REHEAT COMPONENTS</u>				
Reheat element, 208/230V	153-050-220	153-050-220	153-050-220	153-050-220
Reheat element, 460V	153-050-460	153-050-460	153-050-460	153-050-460
High limit cut out switch	159-010-002	159-010-002	159-010-002	159-010-002
<u>HUMIDIFIER COMPONENTS</u>				
Water pressure switch	159-300-002	159-300-002	159-300-002	159-300-002
Strainer assembly	129-050-002	129-050-002	129-050-002	129-050-002
Cylinder, no. 403 208/230V	154-060-004	154-060-004	154-060-004	154-060-004
Cylinder, no. 411 460V	154-060-005	154-060-005	154-060-005	154-060-005
Fill valve, no. 2	154-300-134	154-300-134	154-300-134	154-300-134
Drain valve	154-300-185	154-300-185	154-300-185	154-300-185
PC board 208/230V	154-300-208	154-300-208	154-300-208	154-300-208
PC board 460V	154-300-460	154-300-460	154-300-460	154-300-460
Nortec humidifier, MES-U-30L 208/230V	154-060-001	154-060-001	154-060-001	154-060-001
Nortec humidifier, MES-U-30H 460V	154-060-002	154-060-002	154-060-002	154-060-002
<u>WATER/GLYCOL COMPONENTS</u>				
Water regulating valve, 2-way	127-010-001	127-010-002	127-010-002	127-010-002
Water regulating valve, 3-way	127-010-003	127-010-004	127-010-004	127-010-004
Coaxial coil condenser	136-010-030	136-010-030	136-010-030	N/A
Plate fin condenser	N/A	N/A	N/A	110-010-075
<u>MISC. COMPONENTS</u>				
Condensate probe	160-011-101	160-011-101	160-011-101	160-011-101
Condensate pump, 115V	104-200-115	104-200-115	104-200-115	104-200-115
Condensate pump, 208/230V	104-200-208	104-200-208	104-200-208	104-200-208
Condensate pump, 460V	104-200-460	104-200-460	104-200-460	104-200-460
Smoke detector	159-200-004	159-200-004	159-200-004	159-200-004
Return air grille	178-110-003	178-110-003	178-110-003	178-110-003
Air filter		Consult Factory		

DATA AIRE Series PART LIST
AIR/WATER/GLYCOL 16 to 30 ton

	MODEL NUMBER			
	<u>DAxx-16</u>	<u>DAxx-20</u>	<u>DAxx-26</u>	<u>DAxx-30</u>
<u>CONTROL COMPONENTS</u>				
Data Alarm Processor II-DAP II	160-300-080	160-300-080	160-300-080	160-300-080
Humidity sensor	160-011-203	160-011-203	160-011-203	160-011-203
Temperature sensor	160-200-060	160-200-060	160-200-060	160-200-060
Expansion module (DAP II)	160-300-081	160-300-081	160-300-081	160-300-081
Network comm card (DAP II)	160-300-082	160-300-082	160-300-082	160-300-082
N-2 Network com crd (DAP II)	160-300-183	160-300-183	160-300-183	160-300-183
Contactora, 30 amp	152-030-000	152-030-000	152-030-000	152-030-000
Contactora, comprsr 208/230V	152-030-000	152-030-040	152-030-040	152-030-060
Auxiliary contact switch	152-020-003	152-020-003	152-020-003	152-020-003
Transformer	166-020-001	166-020-001	166-020-001	166-020-001
Isolation transformer	166-020-006	166-020-006	166-020-006	166-020-006
Pressure differential switch	159-245-001	159-245-001	159-245-001	159-245-001
Time delay (for low pressure)	151-100-007	151-100-007	151-100-007	151-100-007
Terminal block	162-125-031	162-125-031	162-125-031	162-125-031
Disconnect switch, 80 amp	147-080-001	147-080-001	147-080-001	147-080-001
Disconnect switch, 100 amp	147-100-001	147-100-001	147-100-001	147-100-001
Disconnect handle/shaft	147-000-001	147-000-001	147-000-001	147-000-001
Disconnect switch, 175 amp	147-175-001	147-175-001	147-175-001	147-175-001
Disconnect handle/shaft	147-175-002	147-175-002	147-175-002	147-175-002
<u>REFRIGERATION COMPONENTS</u>				
Scroll compressor 208/230V	101-074-230	101-104-230	101-133-230	101-153-230
Crankcase heater 208/230V	153-090-001	153-090-001	153-090-001	153-090-001
Scroll compressor 460V	101-074-460	101-104-460	101-133-460	101-153-460
Crankcase heater 460V	153-090-002	153-090-002	153-090-002	153-090-002
High pressure cut out switch	159-100-006	159-100-006	159-100-006	159-100-006
Low pressure cut out switch	159-110-003	159-110-003	159-110-003	159-110-003
Filter drier	132-164-058	132-164-058	132-164-058	132-164-058
Expansion valve	120-000-008	120-000-010	120-000-015	120-000-015
Hot-gas bypass valve	117-030-001	117-030-001	117-030-001	117-030-001
Auxiliary side connection	117-031-002	117-031-002	117-031-002	117-031-003
<u>AIR HANDLING COMPONENTS</u>				
Standard motor 208/230/460V	102-080-006	102-090-004	102-100-001	102-080-006
Blower housing and wheel	169-150-110	169-150-110	169-150-110	169-150-110
Bearing, pillow block	174-110-002	174-110-002	174-110-002	174-110-002
Bearing, 1"	174-111-003	174-111-003	174-111-003	174-111-003
Shaft	173-016-490	173-016-490	173-016-490	173-016-210
Airflow switch	159-230-002	159-230-002	159-230-002	159-230-002

DATA AIRE Series PART LIST
AIR/WATER/GLYCOL 16 to 30 ton

	MODEL NUMBER			
	<u>DAxx-16</u>	<u>DAxx-20</u>	<u>DAxx-26</u>	<u>DAxx-30</u>
<u>REHEAT COMPONENTS</u>				
Reheat element, 208/230V	153-075-250	153-075-250	153-075-250	153-100-250
Reheat element, 460V	153-075-460	153-075-460	153-075-460	153-100-460
High limit cut out switch	159-010-002	159-010-002	159-010-002	159-010-002
<u>HUMIDIFIER COMPONENTS</u>				
Water pressure switch	159-300-002	159-300-002	159-300-002	159-300-002
Strainer assembly	129-050-002	129-050-002	129-050-002	129-050-002
Cylinder, no. 403 208/230V	154-060-004	154-060-004	154-060-004	154-060-004
Cylinder, no. 411 460V	154-060-005	154-060-005	154-060-005	154-060-005
Fill valve, no. 2	154-300-134	154-300-134	154-300-134	154-300-134
Drain valve	154-300-185	154-300-185	154-300-185	154-300-185
PC board 208/230V	154-300-208	154-300-208	154-300-208	154-300-208
PC board 460V	154-300-460	154-300-460	154-300-460	154-300-460
Nortec humidifier, MES-U-30L 208/230V	154-060-001	154-060-001	154-060-001	154-060-001
Nortec humidifier, MES-U-30H 460V	154-060-002	154-060-002	154-060-002	154-060-002
<u>WATER/GLYCOL COMPONENTS</u>				
Water regulating valve, 2-way	127-010-006	127-010-007	127-010-007	127-010-007
Water regulating valve, 3-way	127-010-008	127-010-008	127-010-008	127-010-008
Plate fin condenser	110-010-075	110-027-100	110-027-125	110-027-150
<u>MISC. COMPONENTS</u>				
Condensate probe	160-011-101	160-011-101	160-011-101	160-011-101
Condensate pump, 115V	104-200-115	104-200-115	104-200-115	104-200-115
Condensate pump, 208/230V	104-200-208	104-200-208	104-200-208	104-200-208
Condensate pump, 460V	104-200-460	104-200-460	104-200-460	104-200-460
Smoke detector	159-200-004	159-200-004	159-200-004	159-200-004
Return air grille	178-110-003	178-110-003	178-110-003	178-110-003
Air filter (2)		Consult Factory		

**DATA AIRE Series PART LIST
CHILLED WATER 7 to 13 ton**

	MODEL NUMBER			
	<u>DACx-07</u>	<u>DACx-09</u>	<u>DACx-11</u>	<u>DACx-13</u>
<u>CONTROL COMPONENTS</u>				
Data Alarm Processor II-DAP II	160-300-080	160-300-080	160-300-080	160-300-080
Humidity sensor	160-011-203	160-011-203	160-011-203	160-011-203
Temperature sensor	160-200-060	160-200-060	160-200-060	160-200-060
Expansion module (DAP II)	160-300-081	160-300-081	160-300-081	160-300-081
Network comm card (DAP II)	160-300-082	160-300-082	160-300-082	160-300-082
N-2 Ntwrk comm card (DAP II)	160-300-183	160-300-183	160-300-183	160-300-183
Contactora, 30 amp	152-030-000	152-030-000	152-030-000	152-030-000
Transformer	166-020-001	166-020-001	166-020-001	166-020-001
Isolation transformer	166-020-006	166-020-006	166-020-006	166-020-006
Pressure differential switch	159-245-001	159-245-001	159-245-001	159-245-001
Terminal block	162-125-031	162-125-031	162-125-031	162-125-031
Disconnect switch, 80 amp	147-080-001	147-080-001	147-080-001	147-080-001
Disconnect handle/shaft	147-000-001	147-000-001	147-000-001	147-000-001
<u>AIR HANDLING COMPONENTS</u>				
Standard motor 208/230/460V	102-060-008	102-070-007	102-070-007	102-080-006
Blower housing & whl (dnflw)	169-150-110	169-150-110	169-150-110	169-150-110
Blower housing & whl (upflw)	169-150-090	169-150-090	169-150-090	169-150-090
Bearing, pillow block	N/A	N/A	N/A	174-110-002
Bearing, 1"	174-111-003	174-111-003	174-111-003	174-111-003
Shaft	173-016-210	173-016-210	173-016-210	173-016-210
Airflow switch	159-230-002	159-230-002	159-230-002	159-230-002
<u>REHEAT COMPONENTS</u>				
Reheat element, 208/230V	153-050-220	153-050-220	153-050-220	153-050-220
Reheat element, 460V	153-050-460	153-050-460	153-050-460	153-050-460
High limit cut out switch	159-010-002	159-010-002	159-010-002	159-010-002

**DATA AIRE Series PART LIST
CHILLED WATER 7 to 13 ton**

	MODEL NUMBER			
	<u>DACx-07</u>	<u>DACx-09</u>	<u>DACx-11</u>	<u>DACx-13</u>
<u>HUMIDIFIER COMPONENTS</u>				
Water pressure switch	159-300-002	159-300-002	159-300-002	159-300-002
Strainer assembly	129-050-002	129-050-002	129-050-002	129-050-002
Cylinder, no. 202 208/230V	154-060-006	154-060-006	154-060-006	154-060-006
Cylinder, no. 204 460V	154-060-007	154-060-007	154-060-007	154-060-007
Fill valve, no. 1	154-300-133	154-300-133	154-300-133	154-300-133
Drain valve	154-300-185	154-300-185	154-300-185	154-300-185
PC board				
MES-U-10L 208/230V	154-100-208	154-100-208	154-100-208	154-100-208
PC board				
MES-U-10H 460V	154-100-460	154-100-460	154-100-460	154-100-460
Nortec humidifier,				
MES-U-10L 208/230V	154-070-230	154-070-230	154-070-230	154-070-230
Nortec humidifier,				
MES-U-10H 460V	154-070-460	154-070-460	154-070-460	154-070-460
<u>CHILLED WATER COMPONENTS</u>				
Valve assembly, 2-way	127-020-003	127-020-003	127-020-004	N/A
Valve assembly, 3-way	127-020-001	127-020-001	127-020-002	N/A
Valve body, 2-way	N/A	N/A	N/A	126-020-150
Valve body, 3-way	N/A	N/A	N/A	126-030-150
Valve actuator	N/A	N/A	N/A	177-010-007
<u>MISC. COMPONENTS</u>				
Condensate probe	160-011-101	160-011-101	160-011-101	160-011-101
Condensate pump, 115V	104-200-115	104-200-115	104-200-115	104-200-115
Condensate pump, 208/230V	104-200-208	104-200-208	104-200-208	104-200-208
Condensate pump, 460V	104-200-460	104-200-460	104-200-460	104-200-460
Smoke detector	159-200-004	159-200-004	159-200-004	159-200-004
Return air grille, 26x14	178-110-003	178-110-003	178-110-003	178-110-003
Return air grille, 14x6	178-110-005	178-110-005	178-110-005	178-110-005
Air filter			Consult Factory	

**DATA AIRE Series PART LIST
CHILLED WATER 15 to 26 ton**

	MODEL NUMBER			
	<u>DACx-15</u>	<u>DACx-18</u>	<u>DACx-22</u>	<u>DACx-26</u>
<u>CONTROL COMPONENTS</u>				
Data Alarm Processor II-DAP II	160-300-080	160-300-080	160-300-080	160-300-080
Humidity sensor	160-011-203	160-011-203	160-011-203	160-011-203
Temperature sensor	160-200-060	160-200-060	160-200-060	160-200-060
Expansion module (DAP II)	160-300-081	160-300-081	160-300-081	160-300-081
Network comm card (DAP II)	160-300-082	160-300-082	160-300-082	160-300-082
N-2 Ntwrk comm crd (DAP II)	160-300-183	160-300-183	160-300-183	160-300-183
Contactor, 30 amp	152-030-000	152-030-000	152-030-000	152-030-000
Transformer	166-020-001	166-020-001	166-020-001	166-020-001
Isolation transformer	166-020-006	166-020-006	166-020-006	166-020-006
Pressure differential switch	159-245-001	159-245-001	159-245-001	159-245-001
Terminal block	162-125-031	162-125-031	162-125-031	162-125-031
Disconnect switch, 80 amp	147-080-001	147-080-001	147-080-001	147-080-001
Disconnect switch, 100 amp	147-100-001	147-100-001	147-100-001	147-100-001
Disconnect handle/shaft	147-000-001	147-000-001	147-000-001	147-000-001
<u>AIR HANDLING COMPONENTS</u>				
Standard motor 208/230/460V	102-090-004	102-090-004	102-100-001	102-100-003
Blower housing & whl (dnflw)	169-150-110	169-150-110	169-150-110	169-150-110
Blower housing & whl (upflo)	169-150-090	169-150-090	169-150-090	169-150-090
Bearing, pillow block	174-110-002	174-110-002	174-110-002	174-110-002
Bearing, 1"	174-111-003	174-111-003	174-111-003	174-111-003
Shaft	173-016-490	173-016-490	173-016-490	173-016-490
Airflow switch	159-230-002	159-230-002	159-230-002	159-230-002
<u>REHEAT COMPONENTS</u>				
Reheat element, 208/230V	153-075-250	153-075-250	153-075-250	153-075-250
Reheat element, 460V	153-075-460	153-075-460	153-075-460	153-075-460
High limit cut out switch	159-010-002	159-010-002	159-010-002	159-010-002
<u>HUMIDIFIER COMPONENTS</u>				
Water pressure switch	159-300-002	159-300-002	159-300-002	159-300-002
Strainer assembly	129-050-002	159-050-002	129-050-002	129-050-002
Cylinder, no. 403 208/230V	154-060-004	154-060-004	154-060-004	154-060-004
Cylinder, no. 411 460V	154-060-005	154-060-005	154-060-005	154-060-005
Fill valve, no. 2	154-300-134	154-300-134	154-300-134	154-300-134
Drain valve	154-300-185	154-300-185	154-300-185	154-300-185
PC board				
MES-U-30L 208/230V	154-300-208	154-300-208	154-300-208	154-300-208
PC board MES-U-30H 460V	154-300-460	154-300-460	154-300-460	154-300-460
Nortec humidifier,				
MES-U-30L 208/230V	154-060-001	154-060-001	154-060-001	154-060-001
Nortec humidifier,				
MES-U-30H 460V	154-060-002	154-060-002	154-060-002	154-060-002

**DATA AIRE Series PART LIST
CHILLED WATER 15 to 26 ton**

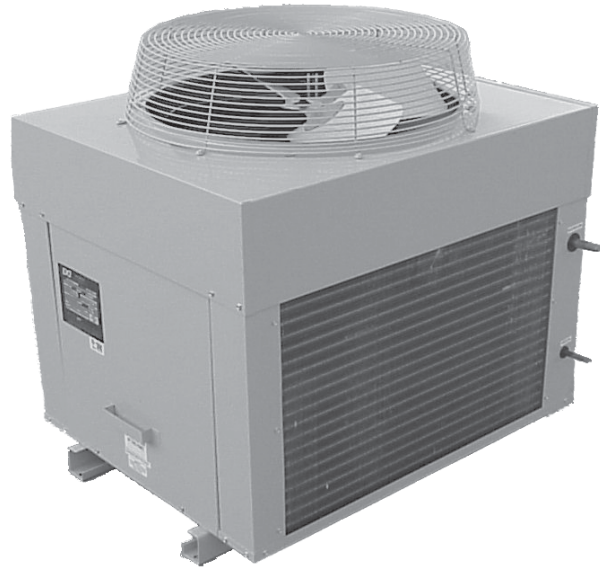
	MODEL NUMBER			
	<u>DACx-15</u>	<u>DACx-18</u>	<u>DACx-22</u>	<u>DACx-26</u>
<u>CHILLED WATER COMPONENTS</u>				
Valve body, 2-way	126-020-150	126-020-200	126-020-200	126-020-200
Valve body, 3-way	126-030-150	126-030-200	126-030-200	126-030-200
Valve actuator	177-010-007	177-010-007	177-010-007	177-010-007
<u>MISC. COMPONENTS</u>				
Condensate probe	160-011-101	160-011-101	160-011-101	160-011-101
Condensate pump, 115V	104-200-115	104-200-115	104-200-115	104-200-115
Condensate pump, 208/230V	104-200-208	104-200-208	104-200-208	104-200-208
Condensate pump, 460V	104-200-460	104-200-460	104-200-460	104-200-460
Smoke detector	159-200-004	159-200-004	159-200-004	159-200-004
Return air grille, 26x14	178-110-003	178-110-003	178-110-003	178-110-003
Return air grille, 14x6	178-110-005	178-110-005	178-110-005	178-110-005
Air filter			Consult Factory	

**DATA AIRE Series PART LIST
CHILLED WATER 30 to 50 ton**

	MODEL NUMBER			
	<u>DACx-30</u>	<u>DACx-40</u>	<u>DACx-45</u>	<u>DACx-50</u>
<u>CONTROL COMPONENTS</u>				
Data Alarm ProcessorII(DAP II)	160-300-080	160-300-080	160-300-080	160-300-080
Humidity sensor	160-011-203	160-011-203	160-011-203	160-011-203
Temperature sensor	160-200-060	160-200-060	160-200-060	160-200-060
Expansion module (DAP II)	160-300-081	160-300-081	160-300-081	160-300-081
Network comm card (DAP II)	160-300-082	160-300-082	160-300-082	160-300-082
N-2 Network com card(DAPII)	160-300-183	160-300-183	160-300-183	160-300-183
Contact, 30 amp	152-030-000	152-030-000	152-030-000	152-030-000
Transformer	166-020-001	166-020-001	166-020-001	166-020-001
Isolation transformer	166-020-006	166-020-006	166-020-006	166-020-006
Pressure differential switch	159-245-001	159-245-001	159-245-001	159-245-001
Terminal block	162-125-031	162-125-031	162-125-031	162-125-031
Disconnect switch, 80 amp	147-080-001	147-080-001	147-080-001	147-080-001
Disconnect switch, 100 amp	147-100-001	147-100-001	147-100-001	147-100-001
Disconnect switch/handle	147-000-001	147-000-001	147-000-001	147-000-001
Disconnect switch, 175 amp	147-175-001	147-175-001	147-175-001	147-175-001
Disconnect switch/handle	147-175-002	147-175-002	147-175-002	147-175-002
<u>AIR HANDLING COMPONENTS</u>				
Standard motor 208/230/460V	102-080-006	102-100-001	102-100-001	102-100-003
Blower housing & wheel (dfw)	169-150-110	169-150-110	169-150-110	169-150-110
Blower housing & wheel (uflw)	169-150-090	169-150-090	169-150-090	169-150-090
Bearing, pillow block	174-110-002	174-110-002	174-110-002	174-110-002
Bearing, 1"	174-111-003	174-111-003	174-111-003	174-111-003
Shaft	173-016-210	173-016-490	173-016-490	173-016-490
Airflow switch	159-230-002	159-230-002	159-230-002	159-230-002
<u>REHEAT COMPONENTS</u>				
Reheat element, 208/230V	153-075-250	153-100-250	153-100-250	153-100-250
Reheat element, 460V	153-075-460	153-100-460	153-100-460	153-100-460
High limit cut out switch	159-010-002	159-010-002	159-010-002	159-010-002
<u>HUMIDIFIER COMPONENTS</u>				
Water pressure switch	159-300-002	159-300-002	159-300-002	159-300-002
Strainer assembly	129-050-002	129-050-002	129-050-002	159-050-002
Cylinder, no. 403 208/230V	154-060-004	154-060-004	154-060-004	154-060-004
Cylinder, no. 411 460V	154-060-005	154-060-005	154-060-005	154-060-005
Fill valve, no. 2	154-300-134	154-300-134	154-300-134	154-300-134
Drain valve	154-300-185	154-300-185	154-300-185	154-300-185
PC board				
MES-U-30L 208/230V	154-300-208	154-300-208	154-300-208	154-300-208
PC board MES-U-30H 460V	154-300-460	154-300-460	154-300-460	154-300-460
Nortec humidifier,				
MES-U-30L 208/230V	154-060-001	154-060-001	154-060-001	154-060-001
Nortec humidifier,				
MES-U-30H 460V	154-060-002	154-060-002	154-060-002	154-060-002

**DATA AIRE Series PART LIST
CHILLED WATER 30 to 50 ton**

	MODEL NUMBER			
	<u>DACx-30</u>	<u>DACx-40</u>	<u>DACx-45</u>	<u>DACx-50</u>
<u>CHILLED WATER COMPONENTS</u>				
Valve body, 2-way	126-020-200	126-020-200	126-020-200	126-020-200
Valve, 3-way	126-030-200	126-030-200	126-030-200	126-030-200
Valve actuator	177-010-007	177-010-007	177-010-007	177-010-007
<u>MISC. COMPONENTS</u>				
Condensate probe	160-011-101	160-011-101	160-011-101	160-011-101
Condensate pump 115V	104-200-115	104-200-115	104-200-115	104-200-115
Condensate pump, 208/230V	104-200-208	104-200-208	104-200-208	104-200-208
Condensate pump, 460V	104-200-460	104-200-460	104-200-460	104-200-460
Smoke detector	159-200-004	159-200-004	159-200-004	159-200-004
Return air grille, 26x14	178-110-003	178-110-003	178-110-003	178-110-003
Return air grille, 14x6	178-110-005	178-110-005	178-110-005	178-110-005
Air filter		Consult factory		



DARC/DAFC UNITS - PART LIST

PARTS FIT FOLLOWING MODELS

DARC-xxxx	Air cooled condenser
DAFC-xxxx	Fluid cooler
DARC-xxxx-LD	Low decibel condenser
DAFC-xxxx-LD	Low decibel fluid cooler

COMPONENTS

Motor, 3/4hp 208/230/460V	102-002-900
Motor, 1/2hp 208/230V (for 'LD' units)	102-003-230
Motor, 1/2hp 460V (for 'LD' units)	102-003-460
Contactator	152-030-000
Temperature control (thermostat)	158-310-003
Fan speed control (single circuit)	159-100-007
Fan speed control (dual circuit)	159-100-008
Terminal block	162-075-031
Transformer	166-020-001
Capacitor	167-370-150
Fan guard	176-024-003
Fan blade (for 'LD' units)	176-024-004
Fan blade	176-024-005
Motor mount	176-025-003



230 W. BlueRidge Avenue
Orange, CA 92865

800-347-2473

www.dataaire.com e-mail: parts@dataaire.com

A Member of the CS Group of Companies

© 2004 Data Aire, Inc.

Data Aire, Inc. reserves the right to make design changes for the purpose of product improvement, or to withdraw any design without notice.

PartsRefList-0404