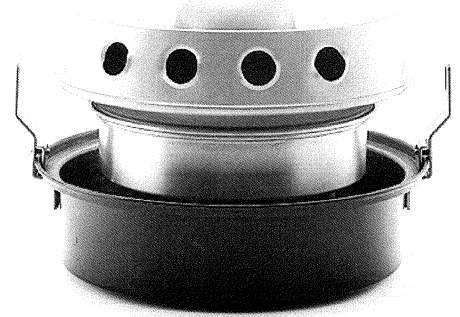


MODEL SF-5/SW-5

Sample specifications for SF-5/SW-5

Cold water centrifugal atomizing type humidifier and mounting brackets for installation overhead. Water level reservoir includes valve to automatically regulate water flow. Atomizer includes motor, impeller, disc and breaker comb to produce a fine vapor and introduce moisture with a small amount of air through the vapor dome to the surroundings. All water exposed parts to be copper, brass or non-ferrous alloy.

The SF5 includes an air filter to protect atomizing unit from dust, lint etc. in the small amount of primary air that passes through the atomizer. Must be UL listed for US and Canada.



SPECIFICATIONS

CAPACITY

Moisture Output – 5 lb./hr.

WEIGHT

Net: 25 lb.

Shipping: 28 lb.

Operating: 36 lb.

DIMENSIONS

Height: 10 ½"

Diameter: 14 ½"

WATER CONNECTIONS & PRESSURES

Supply: 1/8" Male Pipe Thread

Overflow: ¼" Female Pipe Thread

Operating Pressure Range: 10-100 psig.

Electric Motor

.76 amps

115 volts, 1 ph – 50/60 Hz.

3250 RPM

CARTON SIZE

Unit: 12" x 20" x 18"

Dome: 13 ¾" x 10 ¼" x 19 ¼"



Notes:

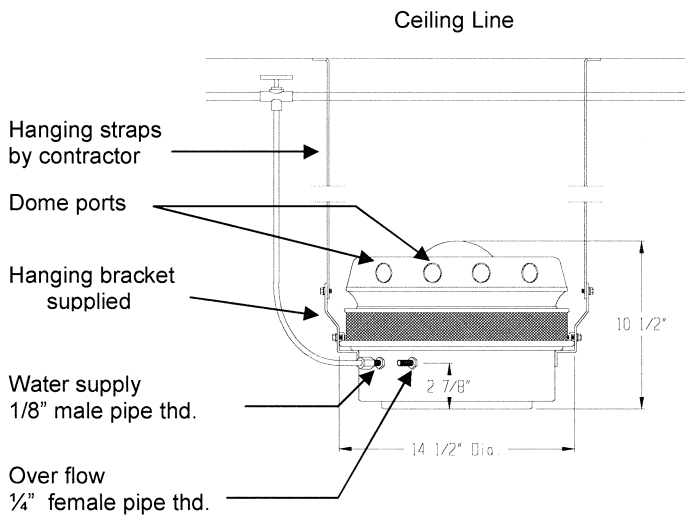
SF Models equipped with filters of a washable, replaceable filter media type. Proper dome selection must be made.

These specification are subject to change without Notice. Mounting brackets supplied with units.

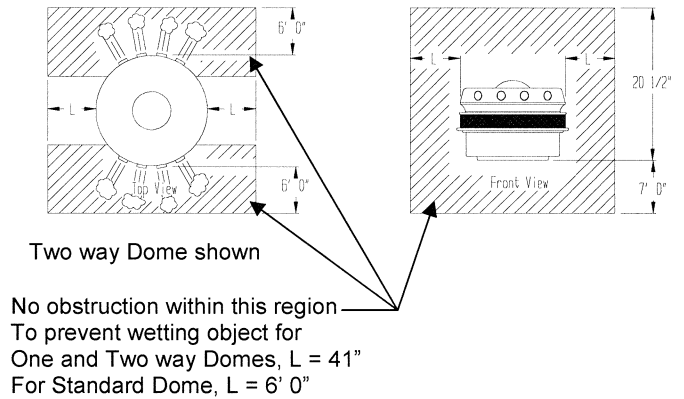
Humidity Source ATOMIZING humidifiers produce moisture that will quickly be absorbed in to the air, However, It is very important that the humidifier be installed so there is on chance of the moisture striking **any object** before it has been absorbed in the air. If any solid object is hit with air containing suspended or absorbed moisture, condensation and dripping will result. It is therefore most important that all directions and minimum dimensions be strictly adhered to.

APPLICATION NOTES:

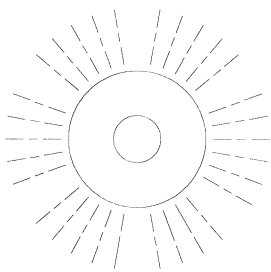
1. Allow minimum distance of un-obstructive space around humidifier for moisture to be absorbed into the air as shown in diagram.
2. Operation is by means of P-825 wall mounted humidistat with human hair sensing element. Order separately.
3. If water supply is hard, install a demineralizer in water in water line to prevent "white dust" from being formed.
4. When ordering, choose proper dome (see below).



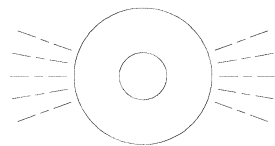
Note: Drawing not to scale



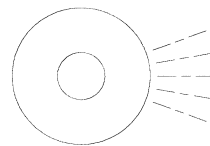
IMPORTANT: Select proper Dome to avoid condensation on obstructions.



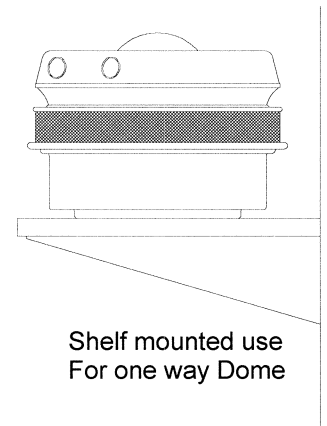
Standard Dome



Two way directional Dome



One way Directional Dome



Shelf mounted use
For one way Dome