

Model Number Significance Chart

E A C A A X C C 0 0 2 0

Electronic
Air Cleaner

Series

Voltage

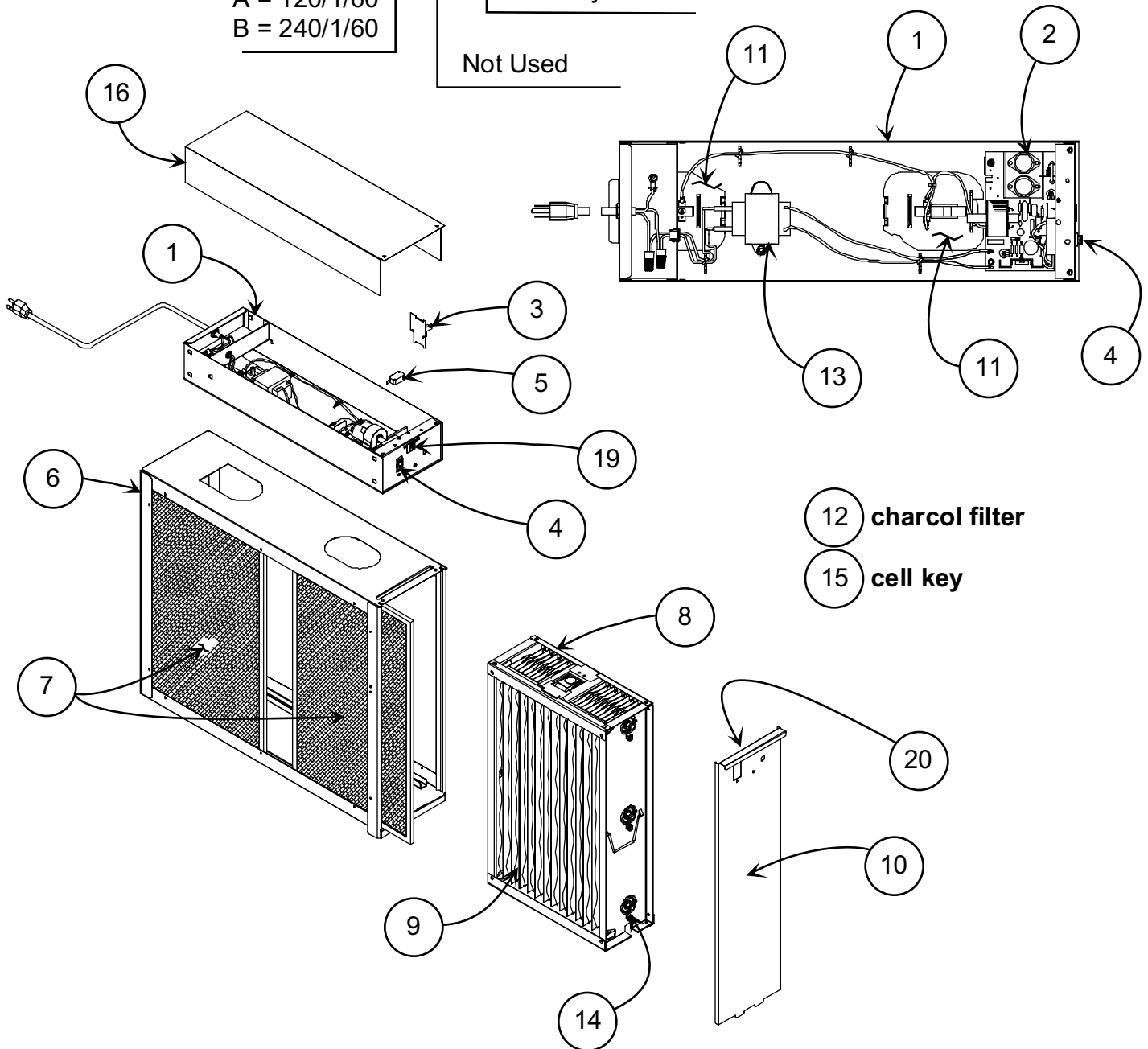
A = 120/1/60

B = 240/1/60

Size
0014
0020
2020

CC = Carrier Brand
BB = Bryant Brand

Not Used



Model EACBBXCC2020....

Description ELECTRONIC AIR CLEANER, 240-1-60

Itm#	Qty	Rec	Part Number	Description
1B	1	-	356066-0117	POWER TRAY ASY (W/AIR FLOW SENSOR): Note: Power Tray for models mfg after s/n 1405V03701 use new power supply p/n xxxxxx. Functional interchangeable with old style.
2A	1	-	356066-0202	POWER SUPPLY (PSN 1405V03701): NOTE: For use on units without AFS. New power supply with AFS can be to replace power supplies without AFS.
2B	1	-	356066-0203	POWER SUPPLY (SSN 1405V03701): NOTE: For use on units with integral AFS, AFS not replaceable.
3	1	-	356066-0301	ELECTRONIC AIR FLOW SENSOR (OPTIONAL): NOTE: For use with units with replaceable AFS.
3A	1	-	356066-1702	POWER CORD
4	1	-	356066-0401	ON/OFF SWITCH
5	1	-	356066-0402	INTERLOCK SWITCH
6	1	-	356066-0514	CABINET ASSEMBLY
7	1	-	356066-0603	PRE-FILTER (2 PER PKG.)
8	2	-	356066-0703	CELL, IONIZING-COLLECTING
9	1	-	356066-0803	IONIZING WIRE ASSEMBLY (13 PER PKG.)
10	1	-	356066-1004	FRONT PANEL ASY
11	1	-	356066-1101	CONTACT BOARD ASY
12	1	-	356066-1203	FILTER, CHARCOAL (OPTIONAL)
13	1	-	356066-1302	TRANSFORMER, STEPDOWN
14	1	-	356066-1401	INSULATOR (6 PER PKG)
15	1	-	356066-1501	CELL KEY
16	1	-	356066-1607	COVER, POWER TRAY
19	1	-	147972-001	LATCH FASTENER (PLASTIC)
20	1	-	147972-002	STRIKE, LATCH FASTENER (PLASTIC)
21	1	-	356066-1707	PLASTIC LOGO MONTH SLIDER (12 PER PKG)
22	1	-	356066-1705	TAPE, FOAM (9' ROLL)
23	1	-	312250-407	MEDALLION, NAMEBRAND